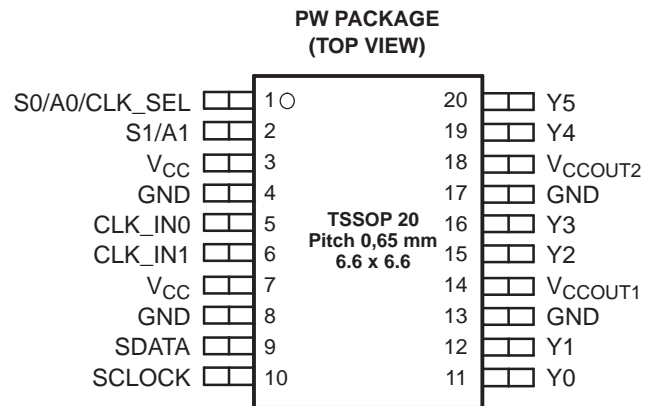


## PROGRAMMABLE 3-PLL CLOCK SYNTHESIZER / MULTIPLIER / DIVIDER

### FEATURES

- High Performance 3:6 PLL based Clock Synthesizer / Multiplier / Divider
- User Programmable PLL Frequencies
- EEPROM Programming Without the Need to Apply High Programming Voltage
- Easy In-Circuit Programming via SMBus Data Interface
- Wide PLL Divider Ratio Allows 0-ppm Output Clock Error
- Generates Precise Video (27 MHz or 54 MHz) and Audio System Clocks from Multiple Sampling Frequencies ( $f_s = 16, 22.05, 24, 32, 44.1, 48, 96$  kHz)
- Clock Inputs Accept a Crystal or a Single-Ended LVCMOS or a Differential Input Signal
- Accepts Crystal Frequencies from 8 MHz up to 54 MHz
- Accepts LVCMOS or Differential Input Frequencies up to 167 MHz
- Two Programmable Control Inputs [S0/S1, A0/A1] for User Defined Control Signals
- Six LVCMOS Outputs with Output Frequencies up to 167 MHz
- LVCMOS Outputs can be Programmed for Complementary Signals
- Free Selectable Output Frequency via Programmable Output Switching Matrix [6x6] Including 7-Bit Post-Divider for Each Output
- PLL Loop Filter Components Integrated
- Low Period Jitter (Typ 60 ps)
- Features Spread Spectrum Clocking (SSC) for Lowering System EMI
- Programmable Center Spread SSC Modulation ( $\pm 0.1\%$ ,  $\pm 0.25\%$ , and  $\pm 0.4\%$ ) with a Mean Phase Equal to the Phase of the Non-Modulated Frequency
- Programmable Down Spread SSC Modulation (1%, 1.5%, 2%, and 3%)
- Programmable Output Slew-Rate Control (SRC) for Lowering System EMI
- 3.3-V Device Power Supply
- Commercial Temperature Range 0°C to 70°C
- Development and Programming Kit for Easy PLL Design and Programming (TI Pro-Clock™)
- Packaged in 20-Pin TSSOP

### TERMINAL ASSIGNMENT



### DESCRIPTION

The CDCE906 is one of the smallest and powerful PLL synthesizer / multiplier / divider available today. Despite its small physical outlines, the CDCE906 is flexible. It has the capability to produce an almost independent output frequency from a given input frequency.

The input frequency can be derived from a LVCMOS, differential input clock, or a single crystal. The appropriate input waveform can be selected via the SMBus data interface controller.



Please be aware that an important notice concerning availability, standard warranty, and use in critical applications of Texas Instruments semiconductor products and disclaimers thereto appears at the end of this data sheet.

Pro-Clock is a trademark of Texas Instruments.

## DESCRIPTION (CONTINUED)

To achieve an independent output frequency the reference divider M and the feedback divider N for each PLL can be set to values from 1 up to 511 for the M-Divider and from 1 up to 4095 for the N-Divider. The PLL-VCO (voltage controlled oscillator) frequency than is routed to the free programmable output switching matrix to any of the six outputs. The switching matrix includes an additional 7-bit post-divider (1-to-127) and an inverting logic for each output.

The deep M/N divider ratio allows the generation of zero ppm clocks from any reference input frequency (e.g., a 27 MHz).

The CDCE906 includes three PLLs of those one supports SSC (spread-spectrum clocking). PLL1, PLL2, and PLL3 are designed for frequencies up to 167 MHz and optimized for zero-ppm applications with wide divider factors.

PLL2 also supports center-spread and down-spread spectrum clocking (SSC). This is a common technique to reduce electro-magnetic interference. Also, the slew-rate controllable (SRC) output edges minimize EMI noise.

Based on the PLL frequency and the divider settings, the internal loop filter components will be automatically adjusted to achieve high stability and optimized jitter transfer characteristic of the PLL.

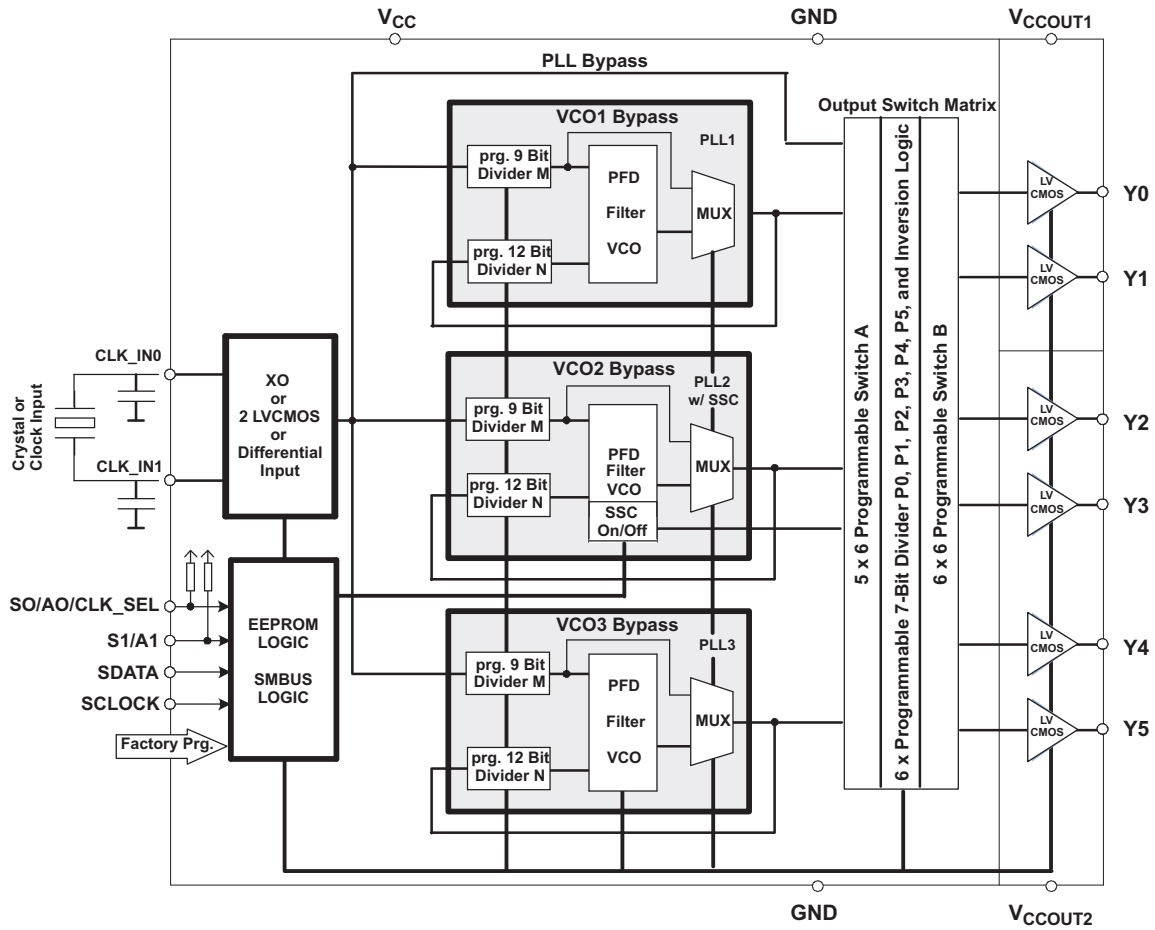
The device supports non-volatile EEPROM programming for easy-customized application. It is preprogrammed with a factory default configuration (see [Figure 13](#)) and can be reprogrammed to a different application configuration before it goes onto the PCB or reprogrammed by in-system programming. A different device setting is programmed via the serial SMBus interface.

Two free programmable inputs, S0 and S1, can be used to control for each application the most demanding logic control settings (outputs disable to low, outputs 3-state, power down, PLL bypass, etc).

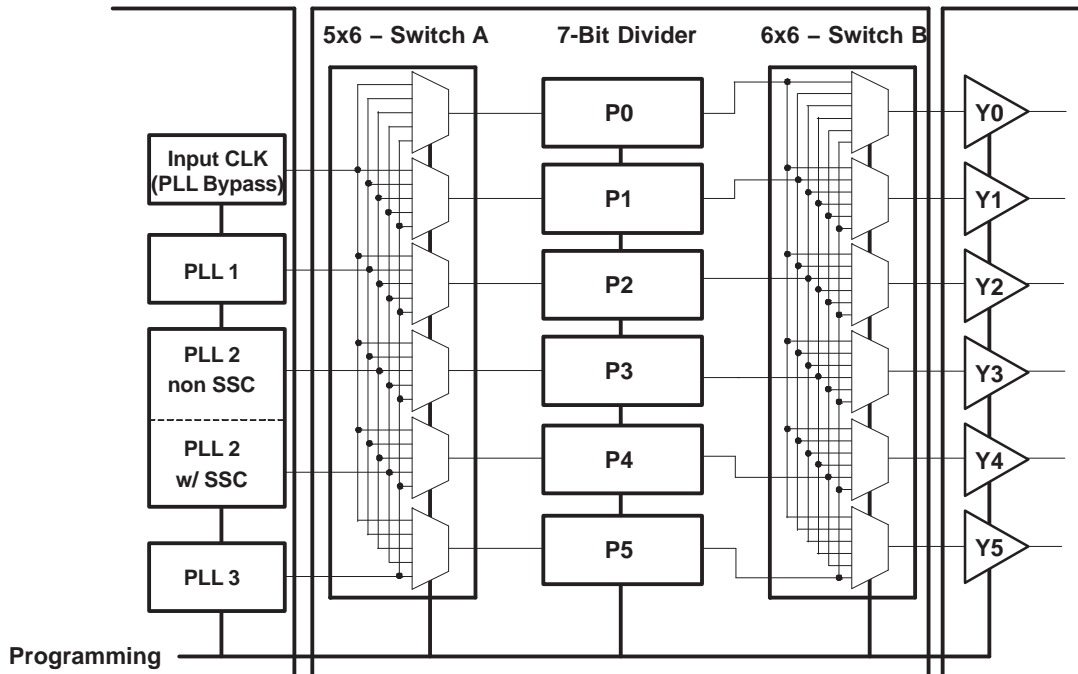
The CDCE906 has three power supply pins,  $V_{CC}$ ,  $V_{CCOUT1}$  and  $V_{CCOUT2}$ .  $V_{CC}$  is the power supply for the device. It operates from a single 3.3-V supply voltage.  $V_{CCOUT1}$  and  $V_{CCOUT2}$  are the power supply pins for the outputs.  $V_{CCOUT1}$  supplies the outputs Y0 and Y1 and  $V_{CCOUT2}$  supplies the outputs Y2, Y3, Y4, and Y5. Both outputs supplies can be 2.3 V to 3.6 V. At output voltages lower than 3.3 V, the output drive current is limited.

The CDCE906 is characterized for operation from 0°C to 70°C.

FUNCTIONAL BLOCK DIAGRAM



OUTPUT SWITCH MATRIX



### TERMINAL FUNCTIONS

TERMINAL		I/O	DESCRIPTION
NAME	TSSOP20 NO.		
Y0 to Y5	11, 12, 15, 16, 19, 20	O	LVC MOS outputs
CLK_IN0	5	I	Dependent on SMBus settings, CLK_IN0 is the crystal oscillator input and can also be used as LVC MOS input or as positive differential signal inputs.
CLK_IN1	6	I/O	Dependent on SMBus settings, CLK_IN1 is serving as the crystal oscillator output or can be the second LVC MOS input or the negative differential signal input.
V <sub>CC</sub>	3, 7	Power	3.3-V power supply for the device.
V <sub>CC</sub> OUT1	14	Power	Power supply for outputs Y0, Y1.
V <sub>CC</sub> OUT2	18	Power	Power supply for outputs Y2, Y3, Y4, Y5.
GND	4, 8, 13, 17	Ground	Ground
S0, A0, CLK_SEL	1	I	User programmable control input S0 (PLL bypass or power-down mode) or AO (address bit 0), or CLK_SEL (selects one of two LVC MOS clock inputs), dependent on the SMBus settings; LVC MOS inputs; internal pullup 150 k $\Omega$ .
S1, A1	2	I	User programmable control input S1 (output enable/disable or all output low), A1 (address bit 1), dependent on the SMBus settings; LVC MOS inputs; internal pullup 150 k $\Omega$
SDATA	9	I/O	Serial control data input/output for SMBus controller; LVC MOS input
SCLOCK	10	I	Serial control clock input for SMBus controller; LVC MOS input

### ABSOLUTE MAXIMUM RATINGS

over operating free-air temperature range (unless otherwise noted) <sup>(1)</sup>

		VALUE	UNIT
V <sub>CC</sub>	Supply voltage range	–0.5 to 4.6	V
V <sub>I</sub>	Input voltage range <sup>(2)</sup>	–0.5 to V <sub>CC</sub> + 0.5	V
V <sub>O</sub>	Output voltage range <sup>(2)</sup>	–0.5 to V <sub>CC</sub> + 0.5	V
I <sub>I</sub>	Input current (V <sub>I</sub> < 0, V <sub>I</sub> > V <sub>CC</sub> )	±20	mA
I <sub>O</sub>	Continuous output current	±50	mA
T <sub>stg</sub>	Storage temperature range	–65 to 150	°C
T <sub>J</sub>	Maximum junction temperature	125	°C

- (1) Stresses beyond those listed under *absolute maximum ratings* may cause permanent damage to the device. These are stress ratings only and functional operation of the device at these or any other conditions beyond those indicated under *recommended operating conditions* is not implied. Exposure to absolute maximum rated conditions for extended periods may affect device reliability.
- (2) The input and output negative voltage ratings may be exceeded if the input and output clamp-current ratings are observed.

### PACKAGE THERMAL RESISTANCE

for TSSOP20 (PW) Package<sup>(1)</sup>

PARAMETER		AIRFLOW (LFM)	°C/W
$\theta_{JA}$	Thermal resistance junction-to-ambient	0	66.3
		150	59.3
		250	56.3
		500	51.9
$\theta_{JC}$	Thermal resistance junction-to-case		19.7

- (1) The package thermal impedance is calculated in accordance with JESD 51 and JEDEC2S2P (high-k board).

## RECOMMENDED OPERATING CONDITIONS

over operating free-air temperature range (unless otherwise noted)

		MIN	NOM	MAX	UNIT
V <sub>CC</sub>	Device supply voltage	3	3.3	3.6	V
V <sub>CCOUT1</sub> <sup>(1)</sup>	Output Y0, Y1 supply voltage	2.3		3.6	V
V <sub>CCOUT2</sub> <sup>(1)</sup>	Output Y2, Y3, Y4, Y5 supply voltage	2.3		3.6	V
V <sub>IL</sub>	Low level input voltage LVCMOS			0.3 V <sub>CC</sub>	V
V <sub>IH</sub>	High level input voltage LVCMOS	0.7 V <sub>CC</sub>			V
V <sub>Ithresh</sub>	Input voltage threshold LVCMOS		0.5 V <sub>CC</sub>		V
V <sub>I</sub>	Input voltage range LVCMOS	0		3.6	V
V <sub>ID</sub>	Differential input voltage	0.1			V
V <sub>IC</sub>	Common-mode for differential input voltage	0.2		V <sub>CC</sub> - 0.6	V
I <sub>OH</sub> / I <sub>OL</sub>	Output current (3.3 V)			±6	mA
I <sub>OH</sub> / I <sub>OL</sub>	Output current (2.5 V)			±4	mA
C <sub>L</sub>	Output load LVCMOS			25	pF
T <sub>A</sub>	Operating free-air temperature	0		70	°C

(1) The minimum output voltage can be down to 1.8 V. See the application note for more information.

## RECOMMENDED CRYSTAL SPECIFICATIONS

		MIN	NOM	MAX	UNIT
f <sub>Xtal</sub>	Crystal input frequency range (fundamental mode)	8	27	54	MHz
ESR	Effective series resistance <sup>(1)</sup> (2)	15		60	Ω
C <sub>IN</sub>	Input capacitance CLK_IN0 and CLK_IN1		3		pF

(1) For crystal frequencies above 50 MHz the effective series resistor should not exceed 50 Ω to assure stable start-up condition.

(2) Maximum Power Handling (Drive Level) see [Figure 16](#).

## EEPROM SPECIFICATION

		MIN	TYP	MAX	UNIT
EEcyc	Programming cycles of EEPROM	100	1000		Cycles
EEret	Data retention	10			Years

## TIMING REQUIREMENTS

over recommended ranges of supply voltage, load, and operating-free air temperature

		MIN	NOM	MAX	UNIT	
<b>CLK_IN REQUIREMENTS</b>						
f <sub>CLK_IN</sub>	CLK_IN clock input frequency (LVCMOS or Differential)	PLL mode		1	167	MHz
		PLL bypass mode		0		
t <sub>r</sub> / t <sub>f</sub>	Rise and fall time CLK_IN signal (20% to 80%)			4	ns	
duty <sub>REF</sub>	Duty cycle CLK_IN at V <sub>CC</sub> / 2	40%		60%		
<b>SMBus TIMING REQUIREMENTS (see <a href="#">Figure 11</a>)</b>						
f <sub>SCLK</sub>	SCLK frequency			100	kHz	
t <sub>h</sub> (START)	START hold time	4			μs	
t <sub>w</sub> (SCLL)	SCLK low-pulse duration	4.7			μs	
t <sub>w</sub> (SCLH)	SCLK high-pulse duration	4		50	μs	
t <sub>su</sub> (START)	START setup time	0.6			μs	
t <sub>h</sub> (SDATA)	SDATA hold time	0.3			μs	
t <sub>su</sub> (SDATA)	SDATA setup time	0.25			μs	
t <sub>r</sub>	SCLK / SDATA input rise time			1000	ns	
t <sub>f</sub>	SCLK / SDATA input fall time			300	ns	

**TIMING REQUIREMENTS (continued)**

over recommended ranges of supply voltage, load, and operating-free air temperature

		MIN	NOM	MAX	UNIT
$t_{su(STOP)}$	STOP setup time	4			$\mu$ s
$t_{BUS}$	Bus free time	4.7			$\mu$ s
$t_{POR}$	Time in which the device must be operational after power-on reset			500	ms

**DEVICE CHARACTERISTICS**over recommended operating free-air temperature range and test load (unless otherwise noted), see [Figure 1](#)

PARAMETER		TEST CONDITIONS		MIN	TYP <sup>(1)</sup>	MAX	UNIT
<b>OVERALL PARAMETER</b>							
$I_{CC}$	Supply current <sup>(2)</sup>	All PLLs on, all outputs on, $f_{out} = 80$ MHz, $f_{CLK\_IN} = 27$ MHz, $f_{VCO} = 160$ MHz			90	115	mA
$I_{CCPD}$	Power down current. Every circuit powered down except SMBus	$f_{IN} = 0$ MHz, $V_{CC} = 3.6$ V			50		$\mu$ A
$V_{PUC}$	Supply voltage $V_{CC}$ threshold for power up control circuit				2.1		V
$f_{VCO}$	VCO frequency of internal PLL (any of three PLLs)	Normal speed-mode <sup>(3)</sup>	All PLLs	80		200	MHz
			PLL2 with SSC	80		167	
		High-speed mode <sup>(3)</sup>		180		300	
$f_{OUT}$	LVC MOS output frequency range <sup>(4)</sup>	$V_{CC} = 2.5$ V or $3.3$ V				167	MHz
<b>LVC MOS PARAMETER</b>							
$V_{IK}$	LVC MOS input voltage	$V_{CC} = 3$ V, $I_I = -18$ mA				-1.2	V
$I_I$	LVC MOS input current (CLK_IN0 / CLK_IN1)	$V_I = 0$ V or $V_{CC}$ , $V_{CC} = 3.6$ V				$\pm 5$	$\mu$ A
$I_{IH}$	LVC MOS input current (For S1/S0)	$V_I = V_{CC}$ , $V_{CC} = 3.6$ V				5	$\mu$ A
$I_{IL}$	LVC MOS input current (For S1/S0)	$V_I = 0$ V, $V_{CC} = 3.6$ V		-35		-10	$\mu$ A
$C_I$	Input capacitance at CLK_IN0 and CLK_IN1	$V_I = 0$ V or $V_{CC}$			3		pF
<b>LVC MOS PARAMETER FOR <math>V_{ccout} = 3.3</math>-V Mode</b>							
$V_{OH}$	LVC MOS high-level output voltage	$V_{ccout} = 3$ V, $I_{OH} = -0.1$ mA		2.9			V
		$V_{ccout} = 3$ V, $I_{OH} = -4$ mA		2.4			
		$V_{ccout} = 3$ V, $I_{OH} = -6$ mA		2.1			
$V_{OL}$	LVC MOS low-level output voltage	$V_{ccout} = 3$ V, $I_{OL} = 0.1$ mA				0.1	V
		$V_{ccout} = 3$ V, $I_{OL} = 4$ mA				0.5	
		$V_{ccout} = 3$ V, $I_{OL} = 6$ mA				0.85	
$t_{PLH}$ , $t_{PHL}$	Propagation delay	All PLL bypass			9		ns
		VCO bypass			11		
$t_{r0}/t_{f0}$	Rise and fall time for output slew rate 0	$V_{ccout} = 3.3$ V (20%–80%)		1.7	3.3	4.8	ns
$t_{r1}/t_{f1}$	Rise and fall time for output slew rate 1	$V_{ccout} = 3.3$ V (20%–80%)		1.5	2.5	3.2	ns
$t_{r2}/t_{f2}$	Rise and fall time for output slew rate 2	$V_{ccout} = 3.3$ V (20%–80%)		1.2	1.6	2.1	ns
$t_{r3}/t_{f3}$	Rise and fall time for output slew rate 3 (Default Configuration)	$V_{ccout} = 3.3$ V (20%–80%)		0.4	0.6	1	ns

(1) All typical values are at respective nominal  $V_{CC}$ .(2) For calculating total supply current, add the current from [Figure 2](#), [Figure 3](#), and [Figure 4](#). Using high-speed mode of the VCO reduces the current consumption significantly. See [Figure 3](#).(3) Normal-speed mode or high-speed mode must be selected by the VCO frequency selection bit in Byte 6, Bit [7:5]. The min  $f_{VCO}$  can be lower but impacts jitter-performance.

(4) The maximum output frequency may be exceeded, but specifications under the Recommended Operating Condition may change and are no longer assured. Do not exceed the maximum power dissipation of the 20-pin TSSOP package (600 mW at no air flow).

## DEVICE CHARACTERISTICS (continued)

over recommended operating free-air temperature range and test load (unless otherwise noted), see [Figure 1](#)

PARAMETER		TEST CONDITIONS		MIN	TYP <sup>(1)</sup>	MAX	UNIT
$t_{jit(cc)}$	Cycle-to-cycle jitter <sup>(5)</sup> <sup>(6)</sup>	1 PLL, 1 Output	$f_{OUT} = 24.576$ MHz		65	95	ps
		3 PLLs, 3 Outputs	$f_{OUT} = 24.576$ MHz		85	135	
$t_{jit(per)}$	Peak-to-peak period jitter <sup>(5)</sup> <sup>(6)</sup>	1 PLL, 1 Output	$f_{OUT} = 24.576$ MHz		90	115	ps
		3 PLLs, 3 Outputs	$f_{OUT} = 24.576$ MHz		100	150	
$t_{sk(o)}$	Output skew (see <sup>(7)</sup> and <a href="#">Table 5</a> )	1.6-ns rise/fall time at $f_{VCO} = 150$ MHz, Pdiv = 3				200	ps
odc	Output duty cycle <sup>(8)</sup>	$f_{VCO} = 100$ MHz, Pdiv = 1		45%		55%	
<b>LVC MOS PARAMETER FOR <math>V_{CCout} = 2.5</math>-V Mode<sup>(9)</sup></b>							
$V_{OH}$	LVCMOS high-level output voltage	$V_{CCout} = 2.3$ V, $I_{OH} = 0.1$ mA		2.2			V
		$V_{CCout} = 2.3$ V, $I_{OH} = -3$ mA		1.7			
		$V_{CCout} = 2.3$ V, $I_{OH} = -4$ mA		1.5			
$V_{OL}$	LVCMOS low-level output voltage	$V_{CCout} = 2.3$ V, $I_{OL} = 0.1$ mA				0.1	V
		$V_{CCout} = 2.3$ V, $I_{OL} = 3$ mA				0.5	
		$V_{CCout} = 2.3$ V, $I_{OL} = 4$ mA				0.85	
$t_{PLH}$ , $t_{PHL}$	Propagation delay	All PLL bypass			9		ns
		VCO bypass			11		
$t_{r0}/t_{f0}$	Rise and fall time for output slew rate 0	$V_{CCout} = 2.5$ V (20%–80%)		2	3.9	5.6	ns
$t_{r1}/t_{f1}$	Rise and fall time for output slew rate 1	$V_{CCout} = 2.5$ V (20%–80%)		1.8	2.9	4.4	ns
$t_{r2}/t_{f2}$	Rise and fall time for output slew rate 2	$V_{CCout} = 2.5$ V (20%–80%)		1.3	2	3.2	ns
$t_{r3}/t_{f3}$	Rise and fall time for output slew rate 3 (Default Configuration)	$V_{CCout} = 2.5$ V (20%–80%)		0.4	0.8	1.1	ns
$t_{jit(cc)}$	Cycle-to-cycle jitter <sup>(10)</sup> <sup>(11)</sup>	1 PLL, 1 Output	$f_{OUT} = 24.576$ MHz		85	120	ps
		3 PLLs, 3 Outputs	$f_{OUT} = 24.576$ MHz		95	155	
$t_{jit(per)}$	Peak-to-peak period jitter <sup>(10)</sup> <sup>(11)</sup>	1 PLL, 1 Output	$f_{OUT} = 24.576$ MHz		110	135	ps
		3 PLLs, 3 Outputs	$f_{OUT} = 24.576$ MHz		110	175	
$t_{sk(o)}$	Output skew (see <sup>(12)</sup> and <a href="#">Table 5</a> )	2-ns rise/fall time at $f_{VCO} = 150$ MHz, Pdiv = 3				250	ps
odc	Output duty cycle <sup>(13)</sup>	$f_{VCO} = 100$ MHz, Pdiv = 1		45%		55%	
<b>SMBus PARAMETER</b>							
$V_{IK}$	SCLK and SDATA input clamp voltage	$V_{CC} = 3$ V, $I_I = -18$ mA				-1.2	V
$I_I$	SCLK and SDATA input current	$V_I = 0$ V or $V_{CC}$ , $V_{CC} = 3.6$ V				±5	μA
$V_{IH}$	SCLK input high voltage			2.1			V
$V_{IL}$	SCLK input low voltage					0.8	V
$V_{OL}$	SDATA low-level output voltage	$I_{OL} = 4$ mA, $V_{CC} = 3$ V				0.4	V
$C_{ISCLK}$	Input capacitance at SCLK	$V_I = 0$ V or $V_{CC}$			3	10	pF
$C_{ISDATA}$	Input capacitance at SDATA	$V_I = 0$ V or $V_{CC}$			3	10	pF

(5) 50000 cycles.

(6) Jitter depends on configuration. Jitter data is for normal  $t_r/t_f$ , input frequency = 27 MHz,  $f_{VCO} = 147$  MHz output.

(7) The  $t_{sk(o)}$  specification is only valid for equal loading of all outputs.

(8) odc depends on output rise and fall time ( $t_r/t_f$ ); above limits are for normal  $t_r/t_f$ .

(9) There is a limited drive capability at output supply voltage of 2.5 V. For proper termination, see application report [SCAA080](#).

(10) 50000 cycles.

(11) Jitter depends on configuration. Jitter data is for normal  $t_r/t_f$ , input frequency = 27 MHz,  $f_{VCO} = 147$  MHz output.

(12) The  $t_{sk(o)}$  specification is only valid for equal loading of all outputs.

(13) odc depends on output rise and fall time ( $t_r/t_f$ ); above limits are for normal  $t_r/t_f$ .

PARAMETER MEASUREMENT INFORMATION

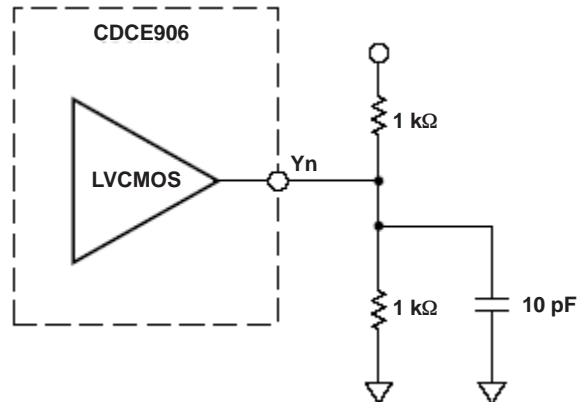


Figure 1. Test Load

TYPICAL CHARACTERISTICS

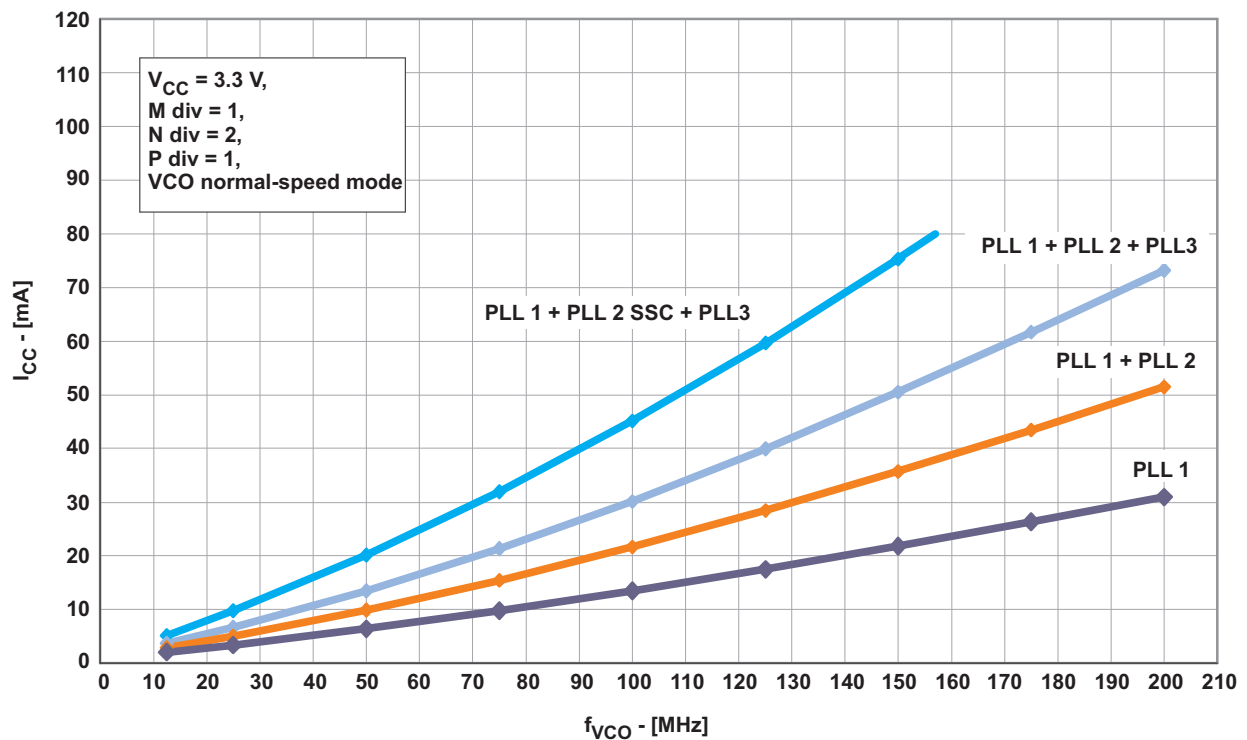


Figure 2.  $I_{CC}$  vs Number of PLLs and VCO Frequency (VCO at Normal-Speed Mode, Byte 6 Bit [7:5])



TYPICAL CHARACTERISTICS (continued)

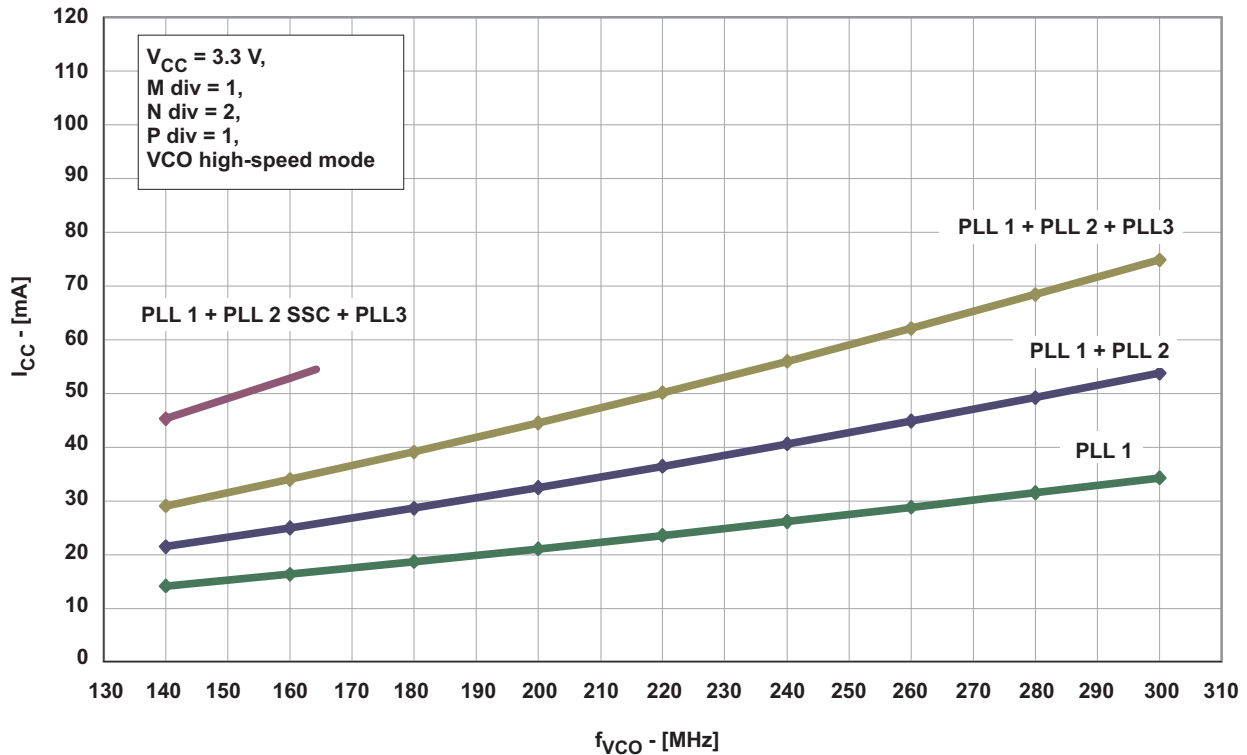


Figure 3.  $I_{CC}$  vs Number of PLLs and VCO Frequency (VCO at High-Speed Mode, Byte 6 Bit [7:5])

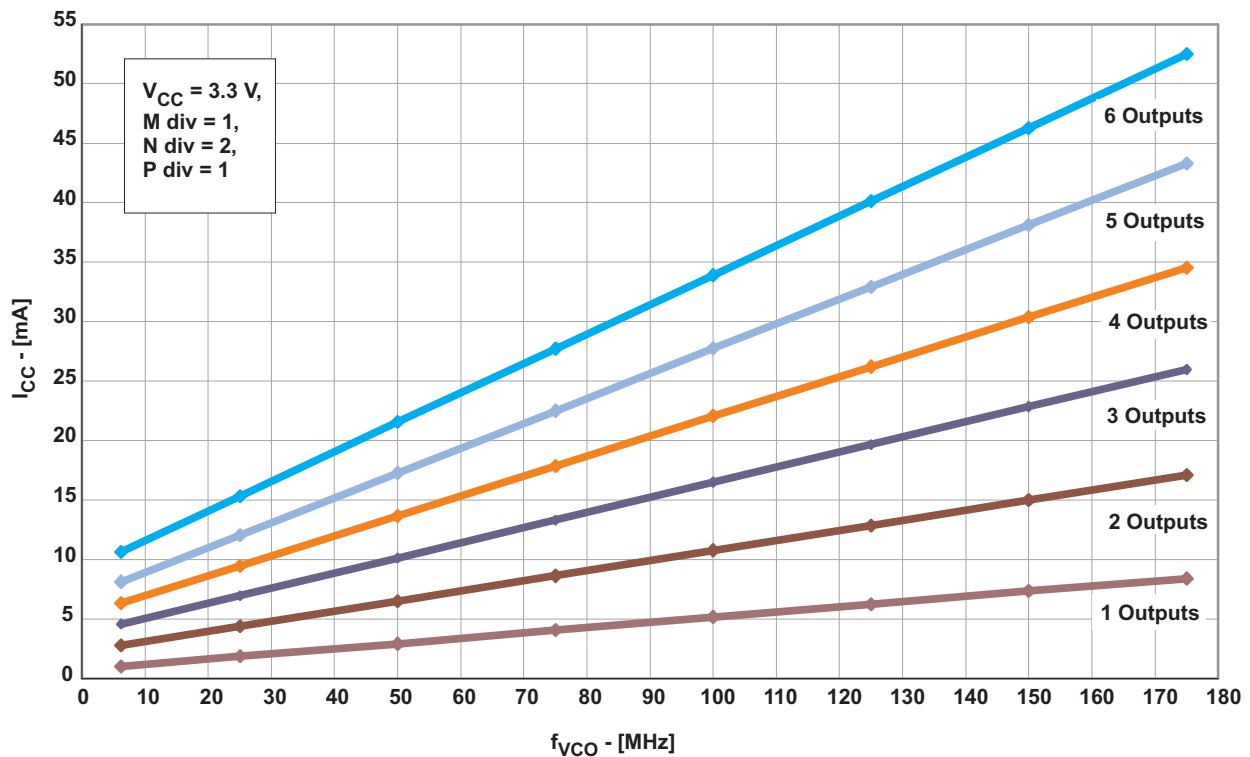


Figure 4.  $I_{CCOUT}$  vs Number of Outputs and VCO Frequency

TYPICAL CHARACTERISTICS (continued)

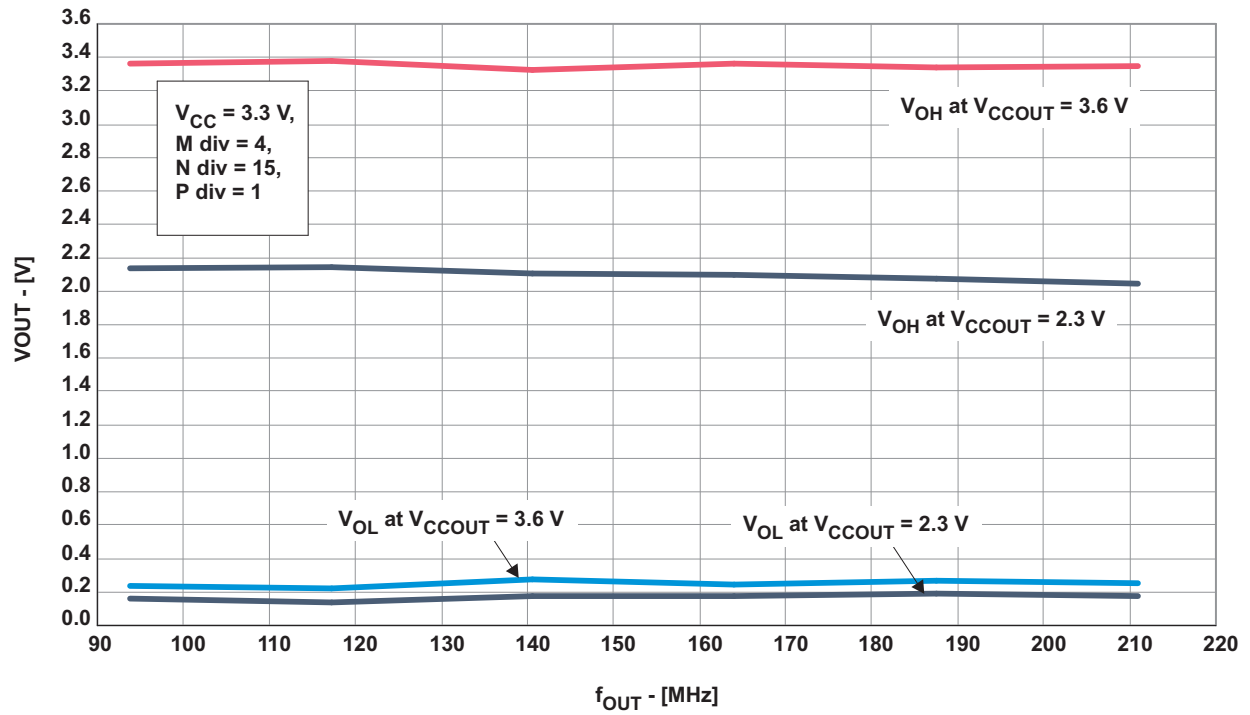


Figure 5. Output Swing vs Output Frequency

## APPLICATION INFORMATION

### SMBus Data Interface

To enhance the flexibility and function of the clock synthesizer, a two-signal serial interface is provided. It follows the SMBus specification Version 2.0, which is based upon the principals of operation of I<sup>2</sup>C. More details of the SMBus specification can be found at <http://www.smbus.org>.

Through the SMBus, various device functions, such as individual clock output buffers, can be individually enabled or disabled. The registers associated with the SMBus data interface initialize to their default setting upon power-up, and therefore using this interface is optional. The clock device register changes are normally made upon system initialization, if any are required.

### Data Protocol

The clock driver serial protocol accepts Byte Write, Byte Read, Block Write, and Block Read operations from the controller.

For Block Write/Read operations, the bytes must be accessed in sequential order from lowest to highest byte (most significant bit first) with the ability to stop after any complete byte has been transferred. For Byte Write and Byte Read operations, the system controller can access individually addressed bytes.

Once a byte has been sent, it will be written into the internal register and effective immediately. With the rising edge of the ACK bit, this applies to each transferred byte, independent of whether this is a Byte Write or a Block Write sequence.

If the EEPROM write cycle is initiated, the data of the internal SMBus register is written into the EEPROM. During EEPROM write, no data is allowed to be sent to the device via the SMBus until the programming sequence is completed. Data, however, can be readout during the programming sequence (byte read or block read). The programming status can be monitored by EEPIP, byte 24 bit 7.

The offset of the indexed byte is encoded in the command code, as described in [Table 1](#).

The Block Write and Block Read protocol is outlined in [Figure 9](#) and [Figure 10](#), while [Figure 7](#) and [Figure 8](#) outlines the corresponding Byte Write and Byte Read protocol.

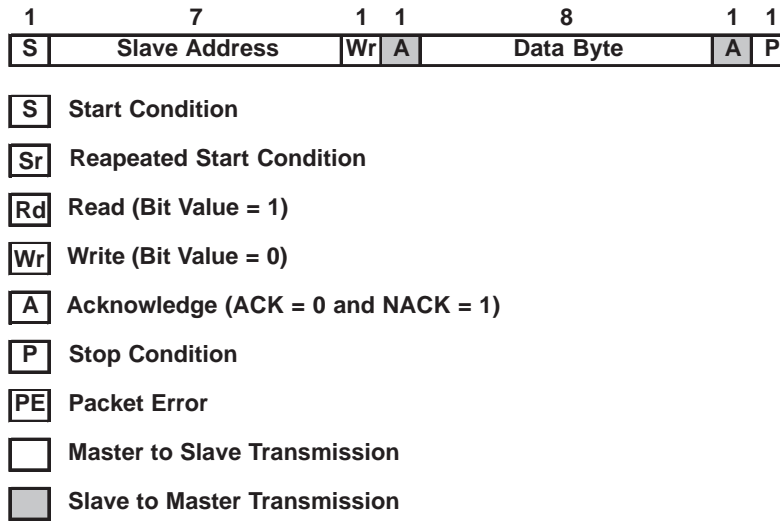
### Slave Receiver Address (7 bits)

A6	A5	A4	A3	A2	A1*	A0*	$\bar{R}/W$
1	1	0	1	0	0	1	0

\* Address bits A0 and A1 are programmable by the Configuration Inputs S0 and S1 (Byte 10 Bit [1:0] and Bit [3:2]). This allows addressing up to four devices connected to the same SMBus.

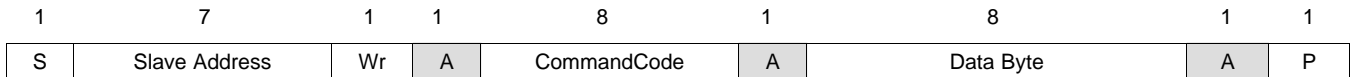
**Table 1. Command Code Definition**

Bit	Description
7	0 = Block Read or Block Write operation 1 = Byte Read or Byte Write operation
(6:0)	Byte Offset for Read and Write operation.



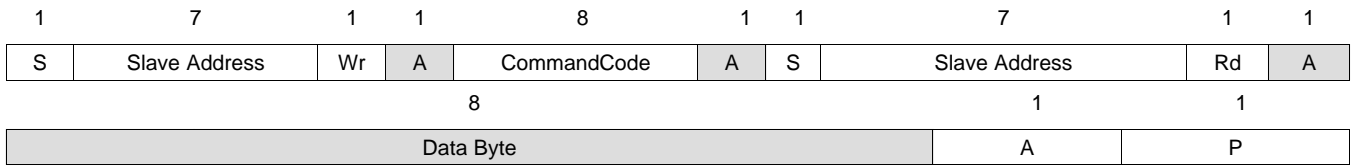
**Figure 6. Generic Programming Sequence**

**Byte Write Programming Sequence**



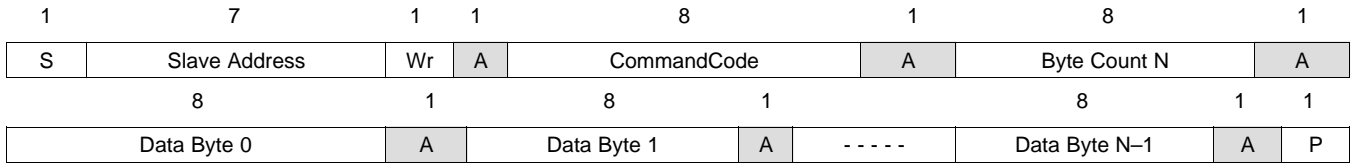
**Figure 7. Byte Write Protocol**

**Byte Read Programming Sequence**



**Figure 8. Byte Read Protocol**

**Block Write Programming Sequence<sup>(1)</sup>**



<sup>(1)</sup>Data Byte 0 is reserved for revision code and vendor identification. However, this byte is used for internal test. Do not write into it other than 0000 0001.

**Figure 9. Block Write Protocol**

### Block Read Programming Sequence

1	7	1	1	8	1	1	7	1	1	
S	Slave Address	Wr	A	CommandCode	A	Sr	Slave Address	Rd	A	
	8		1	8		1	8		1	
Byte Count N		A	Data Byte 0			A	Data Byte N-1		A	P

Figure 10. Block Read Protocol

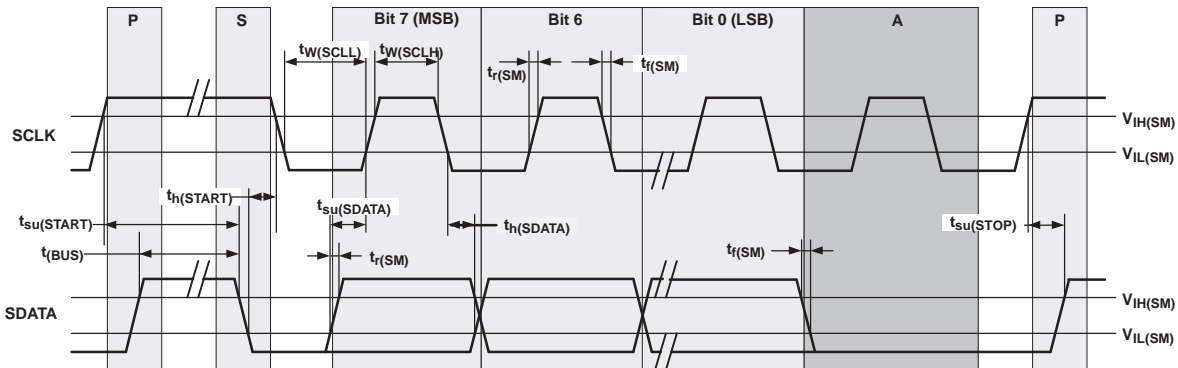


Figure 11. Timing Diagram Serial Control Interface

### SMBus Hardware Interface

The following diagram shows how the CDCE906 clock synthesizer is connected to the SMBus. Note that the current through the pullup resistors ( $R_p$ ) must meet the SMBus specifications (min 100  $\mu$ A, max 350  $\mu$ A). If the CDCE906 is not connected to the SMBus, then SDATA and SCLK inputs have to be connected with 10-k $\Omega$  pullup resistors to  $V_{CC}$  to avoid floating input conditions.

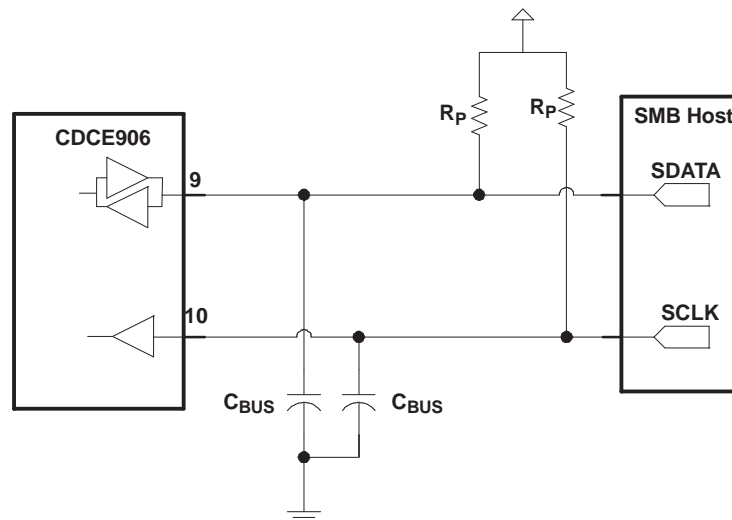


Figure 12. SMBus Hardware Interface

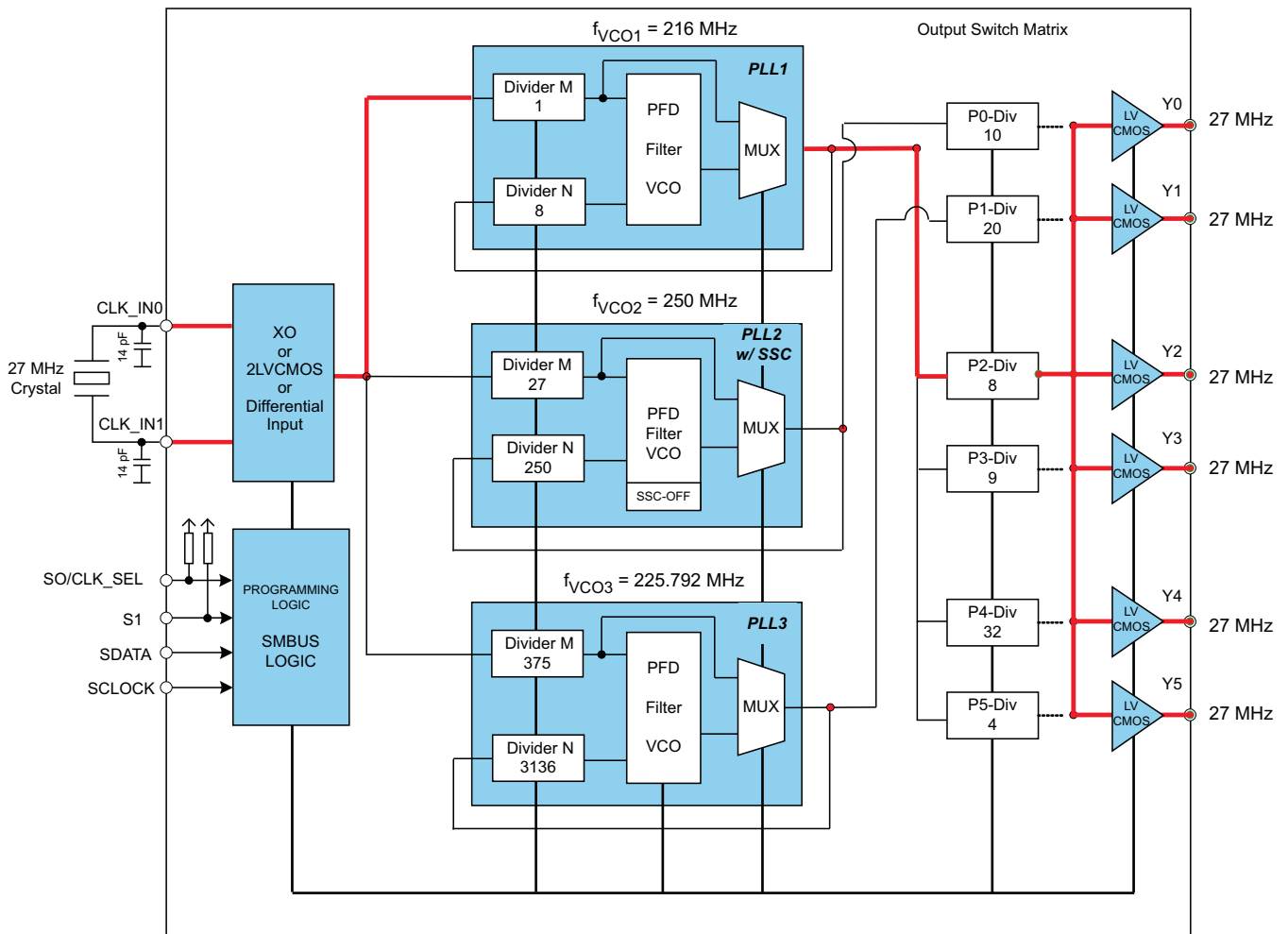
**Table 2. Register Configuration Command Bitmap**

Adr	Bit 7	Bit 6	Bit 5	Bit 4	Bit 3	Bit 2	Bit 1	Bit 0
Byte 0	Revision Code				Vendor Identification			
Byte 1	PLL1 Reference Divider M 9-Bit [7:0]							
Byte 2	PLL1 Feedback Divider N 12-Bit [7:0]							
Byte 3	PLL1 Mux	PLL2 Mux	PLL3 Mux	PLL1 Feedback Divider N 12-Bit [11:8]			PLL1 Ref Dev M [8]	
Byte 4	PLL2 Reference Divider M 9-Bit [7:0]							
Byte 5	PLL2 Feedback Divider N 12-Bit [7:0]							
Byte 6	PLL1 fvco Selection	PLL2 fvco Selection	PLL3 fvco Selection	PLL2 Feedback Divider N 12-Bit [11:8]			PLL2 Ref Dev M [8]	
Byte 7	PLL3 Reference Divider 9-Bit M [7:0]							
Byte 8	PLL3 Feedback Divider N [12-Bit 7:0]							
Byte 9	PLL Selection for P0 (Switch A)			PLL3 Feedback Divider N 12-Bit [11:8]			PLL3 Ref Dev M [8]	
Byte 10	PLL Selection for P1 (Switch A)			Inp. Clock Selection	Configuration Inputs S1	Configuration Inputs S0		
Byte 11	Input Signal Source		PLL Selection for P3 (Switch A)		PLL Selection for P2 (Switch A)			
Byte 12	Reserved	Power Down	PLL Selection for P5 (Switch A)		PLL Selection for P4 (Switch A)			
Byte 13	Reserved	7-Bit Divider P0 [6:0]						
Byte 14	Reserved	7-Bit Divider P1 [6:0]						
Byte 15	Reserved	7-Bit Divider P2 [6:0]						
Byte 16	Reserved	7-Bit Divider P3 [6:0]						
Byte 17	Reserved	7-Bit Divider P4 [6:0]						
Byte 18	Reserved	7-Bit Divider P5 [6:0]						
Byte 19	Reserved	Y0 Inv. or Non-Inv	Y0 Slew-Rate Control	Y0 Enable or Low	Y0 Divider Selection (Switch B)			
Byte 20	Reserved	Y1 Inv. or Non-Inv	Y1 Slew-Rate Control	Y1 Enable or Low	Y1 Divider Selection (Switch B)			
Byte 21	Reserved	Y2 Inv. or Non-Inv	Y2 Slew-Rate Control	Y2 Enable or Low	Y2 Divider Selection (Switch B)			
Byte 22	Reserved	Y3 Inv. or Non-Inv	Y3 Slew-Rate Control	Y3 Enable or Low	Y3 Divider Selection (Switch B)			
Byte 23	Reserved	Y4 Inv. or Non-Inv	Y4 Slew-Rate Control	Y4 Enable or Low	Y4 Divider Selection (Switch B)			
Byte 24	EEPIP [read only]	Y5 Inv or Non-Inv	Y5 Slew-Rate Control	Y5 Enable or Low	Y5 Divider Selection (Switch B)			
Byte 25	EELOCK	Spread Spectrum (SSC) Modulation Selection			Frequency Selection for SSC			
Byte 26	EEWRITE	7-Bit Byte Count						

## Default Device Setting

The internal EEPROM of CDCE906 is pre-programmed with a factory default configuration as shown below. This puts the device in an operating mode without the need to program it first. The default setting appears after power is switched on or after a power-down/up sequence until it is re-programmed by the user to a different application configuration. A new register setting is programmed via the serial SMBUS Interface.

A different default setting can be programmed upon customer request. Contact a Texas Instruments sales or marketing representative for more information.



NOTE: All outputs are enabled and in non-inverting mode. S0, S1, and SSC comply according the default setting described in Byte 10 and Byte 25 respectively.

**Figure 13. Default Device Setting**

The output frequency can be calculated:

$$f_{out} = \frac{f_{in} \times N}{M \times P}, \text{ i.e. } f_{out} = \frac{27 \text{ MHz} \times 8}{(1 \times 8)} = 27 \text{ MHz}$$

(1)

### Functional Description of the Logic

All Bytes are read-/write-able, unless otherwise expressly mentioned.

Byte 0 (read only): Vendor Identification Bits [3:0]; Revision Code Bit [7:4]								
Revision Code <sup>(1)</sup>				Vendor Identification				
X	X	X	X	0	0	0	1	

(1) Byte 0 is readable by "Byte Read sequency" only.

Byte 1 to 9: Reference Divider M of PLL1, PLL2, PLL3 <sup>(1)</sup>										
M8	M7	M6	M5	M4	M3	M2	M1	M0	Div by	Default <sup>(2) (3)</sup>
0	0	0	0	0	0	0	0	0	Not allowed	
0	0	0	0	0	0	0	0	1	1	
0	0	0	0	0	0	0	1	0	2	
0	0	0	0	0	0	0	1	1	3	
				•						
				•						
1	1	1	1	1	1	1	0	1	509	
1	1	1	1	1	1	1	1	0	510	
1	1	1	1	1	1	1	1	1	511	

- (1) By selecting the PLL divider factors,  $M \leq N$  and  $80 \text{ MHz} \leq f_{vco} \leq 300 \text{ MHz}$ .
- (2) Unless customer specific setting.
- (3) Default setting of divider M for PLL1 = 1, for PLL2 = 27 and for PLL3 = 375.

Byte 1 to 9: Feedback Divider N of PLL1, PLL2, PLL3 <sup>(1)</sup>													
N11	N10	N9	N8	N7	N6	N5	N4	N3	N2	N1	N0	Div by	Default <sup>(2) (3)</sup>
0	0	0	0	0	0	0	0	0	0	0	0	Not allowed	
0	0	0	0	0	0	0	0	0	0	0	1	1	
0	0	0	0	0	0	0	0	0	0	1	0	2	
0	0	0	0	0	0	0	0	0	0	1	1	3	
							•						
							•						
1	1	1	1	1	1	1	1	1	1	0	1	4093	
1	1	1	1	1	1	1	1	1	1	1	0	4094	
1	1	1	1	1	1	1	1	1	1	1	1	4095	

- (1) By selecting the PLL divider factors,  $M \leq N$  and  $80 \text{ MHz} \leq f_{vco} \leq 300 \text{ MHz}$ .
- (2) Unless customer specific setting.
- (3) Default setting of divider N for PLL1 = 8, for PLL2 = 250 and for PLL3 = 3136.

Byte 3 Bit [7:5]: PLL (VCO) Bypass Multiplexer		
PLLxMUX	PLL (VCO) MUX Output	Default <sup>(1)</sup>
0	PLLx	Yes
1	VCO bypass	

(1) Unless customer specific setting.

Byte 6 Bit [7:5]: VCO Frequency Selection Mode for each PLL <sup>(1)</sup>		
PLLxVFCO	VCO Frequency Range	Default <sup>(2)</sup>
0	80-200 MHz	
1	180-300 MHz	Yes

- (1) This bit selects the normal-speed mode or the high-speed mode for the dedicated VCO in PLL1, PLL2 or PLL3. At power-up, the high-speed mode is selected,  $f_{VCO}$  is 180-300 MHz. In case of higher  $f_{VCO}$ , this bit has to be set to [1].
- (2) Unless customer specific setting.



Byte 9 to 12: Outputs Switch Matrix (5x6 Switch A) PLL Selection for P-Divider P0-P5				
SWAPx2	SWAPx1	SWAPx0	Any Output Px	Default <sup>(1)</sup>
0	0	0	PLL bypass (input clock)	
0	0	1	PLL1	P2, P3, P4, P5
0	1	0	PLL2 non-SSC	P0
0	1	1	PLL2 w/ SSC <sup>(2)</sup>	
1	0	0	PLL3	P1
1	0	1	Reserved	
1	1	0	Reserved	
1	1	1	Reserved	

- (1) Unless customer specific setting.  
 (2) PLL2 has a SSC output and non-SSC output. If SSC bypass is selected (see Byte 25, Bit [6:4]), the SSC circuitry of PLL2 is powered-down and the SSC output is reset to logic low. The non-SSC output of PLL2 is not affected by this mode and can still be used.

Byte 10, Bit [1:0]: Configuration Settings of Input S0/A0/CLK_SEL			
S01	S00	Function	Default <sup>(1)</sup>
0	0	If S0 is low, the PLLs and the clock-input stage are going into power-down mode, outputs are in 3-state, all actual register settings will be maintained, SMBus stays active <sup>(2)</sup>	Yes
0	1	If S0 is low, the PLL and all dividers (M-Div and P-Div) are bypassed and PLL is in power-down, all outputs are active (inv. or non-inv.), actual register settings will be maintained, SMBus stays active; this mode is useful for production test;	
1	0	CLK_SEL (input clock selection — overwrites the CLK_SEL setting in Byte 10, Bit [4]) <sup>(3)</sup> — CLK_SEL is set low selects CLK_IN_IN0 — CLK_SEL is set high selects CLK_IN_IN1	
1	1	In this mode, the control input S0 is interpreted as address bit A0 of the slave receiver address byte <sup>(4)</sup>	

- (1) Unless customer specific setting.  
 (2) Power-down mode overwrites 3-state or low-state of S1 setting in Byte 10, Bit [3:2].  
 (3) If the clock input (CLK\_IN0/CLK\_IN1) is selected as crystal input or differential clock input (Byte 11, Bit [7:6]) then this setting is not relevant.  
 (4) To use this pin as Slave Receiver Address Bit A0, an Initialization pattern needs to be sent to CDCE906. When S00/S01 is set to be 1, the S0 input pin will be interpreted in the next read or write cycle as the Address Bit A0 of the Slave Receiver Address Byte. Note that right after the Byte 10 (S00/S01) has been written, A0 (via S0-pin) will immediately be active (also when Byte 10 is sent within a block write sequence). After the Initialization each CDCE906 has its own S0 dependent Slave Receiver Address and can be addressed accordingly to their new valid address.

Byte 10, Bit [3:2]: Configuration Settings of Input S1/A1			
S11	S10	Function	Default <sup>(1)</sup>
0	0	If S1 is set low, all outputs are switched to a low-state (non-inv.) or high-state (inv.);	Yes
0	1	If S1 is set low, all outputs are switched to a 3-state	
1	0	Reserved	
1	1	In this mode, the control input S1 is interpreted as Address Bit A1 of the Slave Receiver Address Byte <sup>(2)</sup>	

- (1) Unless customer specific setting.  
 (2) To use this pin as Slave Receiver Address Bit A1, an Initialization pattern needs to be sent to CDCE906. When S10/S11 is set to be 1, the S1 input pin will be interpreted in the next read or write cycle as the Address Bit A1 of the Slave Receiver Address Byte. Note that right after the Byte 10 (S10/S11) has been written, A1 (via S1-pin) will immediately be active (also when Byte 10 is sent within a block write sequence). After the Initialization each CDCE906 has its own S1 dependent Slave Receiver Address and can be addressed accordingly to their new valid address.

Byte 10, Bit [4]: Input Clock Selection <sup>(1)</sup>		
CLKSEL	Input Clock	Default <sup>(2)</sup>
0	CLK_IN0	Yes
1	CLK_IN1	

- (1) This bit is not relevant, if crystal input or differential clock input is selected, Byte 11, Bit [7:6].  
 (2) Unless customer specific setting.

Byte 11, Bit [7:6]: Input Signal Source <sup>(1)</sup>			
IS1	IS0	Function	Default <sup>(2)</sup>
0	0	CLK_IN0 is Crystal Oscillator Input and CLK_IN1 is serving as Crystal Oscillator Output.	Yes
0	1	CLK_IN0 and CLK_IN1 are two LVCMOS Inputs. CLK_IN0 or CLK_IN1 are selectable via CLK_SEL control pin.	
1	0	CLK_IN0 and CLK_IN1 serve as differential signal inputs.	
1	1	Reserved	

(1) In case the crystal input or differential clock input is selected, the input clock selection, Byte 10, Bit [4], is not relevant.

(2) Unless customer specific setting.

Byte 12, Bit [6]: Power-Down Mode (except SMBus)		
PD	Power-Down Mode	Default <sup>(1)</sup>
0	Normal Device Operation	Yes
1	Power Down <sup>(2)</sup>	

(1) Unless customer specific setting.

(2) In power down, all PLLs and the Clock-Input-Stage are going into power-down mode, all outputs are in 3-State, all actual register settings will be maintained and SMBus stays active. Power-Down Mode overwrites 3-State or Low-State of S0 and S1 setting in Byte 10.

Byte 13 to 18, Bit [6:0]: Outputs Switch Matrix - 6x7-Bit Divider P0-P5								
DIVYx6	DIVYx5	DIVYx4	DIVYx3	DIVYx2	DIVYx1	DIVYx0	Div by	Default <sup>(1) (2)</sup>
0	0	0	0	0	0	0	Not allowed	
0	0	0	0	0	0	1	1	
0	0	0	0	0	1	0	2	
		•						
		•						
		•						
1	1	1	1	1	0	1	125	
1	1	1	1	1	1	0	126	
1	1	1	1	1	1	1	127	

(1) Unless customer specific setting.

(2) Default setting of divider P0 = 10, P1 = 20, P2 = 8, P3 = 9, P4 = 32, and P5 = 4

Byte 19 to 24, Bit [5:4]: LVCMOS Output Rise/Fall Time Setting at Y0-Y5			
SRCYx1	SRCYx0	Yx	Default <sup>(1)</sup>
0	0	Nominal +3 ns ( $t_{r0}/t_{f0}$ )	
0	1	Nominal +2 ns ( $t_{r1}/t_{f1}$ )	
1	0	Nominal +1 ns ( $t_{r2}/t_{f2}$ )	
1	1	Nominal ( $t_{r3}/t_{f3}$ )	Yes

(1) Unless customer specific setting.

Byte 19 to 24, Bit [2:0]: Outputs Switch Matrix (6 x 6 Switch B) Divider (P0-P5) Selection for Outputs Y0-Y5				
SWBYx2	SWBYx1	SWBYx0	Any Output Yx	Default <sup>(1)</sup>
0	0	0	Divider P0	
0	0	1	Divider P1	
0	1	0	Divider P2	Y0, Y1, Y2, Y3, Y4, Y5
0	1	1	Divider P3	
1	0	0	Divider P4	
1	0	1	Divider P5	
1	1	0	Reserved	
1	1	1	Reserved	

(1) Unless customer specific setting.

Byte 19 to 24, Bit [3]: Output Y0-Y5 Enable or Low-State		
ENDISYx	Output Yx	Default <sup>(1)</sup>
0	Disable to low	
1	Enable	Yes

(1) Unless customer specific setting.

Byte 19 to 24, Bit [6]: Output Y0-Y5 Non-Inverting/Inverting		
INVYx	Output Yx Status	Default <sup>(1)</sup>
0	Non-inverting	Yes
1	Inverting	

(1) Unless customer specific setting.

Byte 24, Bit [7] (read only): EEPROM Programming In Process Status <sup>(1)</sup>		
EEPIP	Indicate EEPROM Write Process	Default
0	No programming	
1	Programming in process	

(1) This *read only* Bit indicates an EEPROM write process. It is set to high if programming starts and resets to low if programming is completed. Any data written to the EEPIP-Bit will be ignored. During programming, no data are allowed to be sent to the device via the SMBus until the programming sequence is completed. Data, however, can be readout during the programming sequence (Byte Read or Block Read).

Byte 25, Bit [3:0]: SSC Modulation Frequency Selection in the Range of 30 kHz 60 kHz <sup>(1)</sup>														
FSSC3	FSSC2	FSSC1	FSSC0	Modulation Factor	$f_{\text{mod}}$ [kHz]	$f_{\text{vco}}$ [MHz]							Default <sup>(2)</sup>	
						100	110	120	130	140	150	160		167
0	0	0	0	5680		17.6	19.4	21.1	22.9	24.6	26.4	28.2	29.4	
0	0	0	1	5412		18.5	20.3	22.2	24.0	25.9	27.7	29.6	30.9	
0	0	1	0	5144		19.4	21.4	23.3	25.3	27.2	29.2	31.1	32.5	
0	0	1	1	4876		20.5	22.6	24.6	26.7	28.7	30.8	32.8	34.2	
0	1	0	0	4608		21.7	23.9	26.0	28.2	30.4	32.6	34.7	36.2	
0	1	0	1	4340		23.0	25.3	27.6	30.0	32.3	34.6	36.9	38.5	
0	1	1	0	4072		24.6	27.0	29.5	31.9	34.4	36.8	39.3	41.0	
0	1	1	1	3804		26.3	28.9	31.5	34.2	36.8	39.4	42.1	43.9	
1	0	0	0	3536		28.3	31.1	33.9	36.8	39.6	42.4	45.2	47.2	
1	0	0	1	3286		30.4	33.5	36.5	39.6	42.6	45.6	48.7	50.8	Yes
1	0	1	0	3000		33.3	36.7	40.0	43.3	46.7	50.0	53.3	55.7	
1	0	1	1	2732		36.6	40.3	43.9	47.6	51.2	54.9	58.6	61.1	
1	1	0	0	2464		40.6	44.6	48.7	52.8	56.8	60.9	64.9	67.8	
1	1	0	1	2196		45.5	50.1	54.6	59.2	63.8	68.3	72.9	76.0	
1	1	1	0	1928		51.9	57.1	62.2	67.4	72.6	77.8	83.0	86.6	
1	1	1	1	1660		60.2	66.3	72.3	78.3	84.3	90.4	96.4	100.6	

(1) The PLL has to be bypassed (turned off) when changing *SSC Modulation Frequency Factor* on-the-fly. This can be done by following programming sequence: bypass PLL2 (Byte 3, Bit 6 = 1); write new *Modulation Factor* (Byte 25); re-activate PLL2 (Byte 3, Bit 6 = 0).  
 (2) Unless customer specific setting.

Byte 25, Bit [6:4]: SSC Modulation Amount <sup>(1)</sup>				
SSC2	SSC1	SSC0	Function	Default <sup>(2)</sup>
0	0	0	SSC Modulation Amount 0% = SSC bypass for PLL <sup>(3)</sup>	Yes
0	0	1	SSC Modulation Amount $\pm 0.1\%$ (center spread)	
0	1	0	SSC Modulation Amount $\pm 0.25\%$ (center spread)	
0	1	1	SSC Modulation Amount $\pm 0.4\%$ (center spread)	
1	0	0	SSC Modulation Amount 1% (down spread)	
1	0	1	SSC Modulation Amount 1.5% (down spread)	
1	1	0	SSC Modulation Amount 2% (down spread)	
1	1	1	SSC Modulation Amount 3% (down spread)	

- (1) The PLL has to be bypassed (turned off) when changing *SSC Modulation Amount* on-the-fly. This can be done by following programming sequence: bypass PLL2 (Byte 3, Bit 6 = 1); write new *Modulation Amount* (Byte 25); re-activate PLL2 (Byte 3, Bit 6 = 0).
- (2) Unless customer specific setting.
- (3) If SSC bypass is selected, SSC circuitry of PLL2 is powered-down and the SSC output is reset to logic low. The non-SSC output of PLL2 is not affected by this mode and can still be used.

Byte 25, Bit [7]: Permanently Lock EEPROM-Data		
EELOCK	Permanently Lock EEPROM <sup>(1)</sup>	Default <sup>(2)</sup>
0	No	Yes
1	Yes	

- (1) If this bit is set, the actual data in the EEPROM will be permanently locked. There is no further programming possible, even this bit is set low. Data, however can still be written via SMBUS to the internal register to change device function on the fly. But new data no longer can be stored into the EEPROM.
- (2) Unless customer specific setting.

Byte 26, Bit [6:0]: Byte Count <sup>(1)</sup>								
BC6	BC5	BC4	BC3	BC2	BC1	BC0	No. of Bytes	Default <sup>(2)</sup>
0	0	0	0	0	0	0	Not allowed	
0	0	0	0	0	0	1	1	
0	0	0	0	0	1	0	2	
0	0	0	0	0	1	1	3	
			•					
			•					
			•					
0	0	1	1	0	1	1	27	Yes
			•					
			•					
			•					
1	1	1	1	1	0	1	125	
1	1	1	1	1	1	0	126	
1	1	1	1	1	1	1	127	

- (1) Defines the number of Bytes, which will be sent from this device at the next Block Read protocol.
- (2) Unless customer specific setting.

Byte 26, Bit [7]: Initiate EEPROM Write Cycle <sup>(1)</sup>		
EEWRITE	Starts EEPROM Write Cycle	Default <sup>(2)</sup>
0	No	Yes
1	Yes	

- (1) The EEPROM WRITE cycle is initiated with the rising edge of the EEWRITE-Bit. A static level high does not trigger an EEPROM WRITE cycle. This bit stays high until the user reset it to low (it will not automatically be reset after the programming has been completed). Therefore, to initiate an EEPROM WRITE cycle, it is recommended to send a zero-one sequence to the EEWRITE bit in Byte 26. During EEPROM programming, no data are allowed to be sent to the device via the SMBus until the programming sequence has been completed. Data, however, can be readout during the programming sequence (Byte Read or Block Read). The programming status can be monitored by readout EEPIP, Byte 24–Bit 7. If EELOCK is set, no EEPROM programming will be possible.
- (2) Unless customer specific setting.

## FUNCTIONAL DESCRIPTION

### Zero ppm Audio and Video System Clock Generation and Divider Setting

The CDCE906 is ideally suited for audio and video applications. It consists of a triple PLL clock generator which generates up to six audio, video and system clocks from i.e. a 27-MHz master clock. The output frequencies are programmable to meet different application requirements. The master clock can be either a crystal oscillator or an external input clock signal. The CDCE906 provides a very low jitter, high accuracy clock with zero ppm for the common audio and video clocks. The following table shows the system clocks versus the standard sampling frequency and the corresponding divider settings.

Audio Rate [kHz]	fs x 256 [MHz]	Divider			Error ppm	fs x 384 [MHz]	Divider			Error ppm
		M	N	P			M	N	P	
16	4.096	375	2048	36	0	6.144	125	768	27	0
22.05	5.6448	75	392	25	0	8.4672	125	588	15	0
24	6.144	125	768	27	0	9.216	125	768	18	0
32	8.192	375	2048	18	0	12.288	375	2048	12	0
44.1	11.2896	375	1568	10	0	16.9344	125	784	10	0
48	12.288	375	2048	12	0	18.432	125	768	9	0
96	24.576	375	2048	6	0	36.864	375	2048	4	0

Audio Rate [kHz]	fs x 512 [MHz]	Divider			Error ppm	fs x 768 [MHz]	Divider			Error ppm
		M	N	P			M	N	P	
16	8.192	375	2048	18	0	12.288	375	2048	12	0
22.05	11.2896	375	1568	10	0	16.9344	125	784	10	0
24	12.288	375	2048	12	0	18.432	125	768	9	0
32	16.384	375	2048	9	0	24.576	375	2048	6	0
44.1	22.5792	375	1568	5	0	33.8688	125	784	5	0
48	24.576	375	2048	6	0	36.864	375	2048	4	0
96	49.152	375	2048	3	0	73.728	375	2048	2	0

NOTE: Input frequency is 27 MHz.

Video Rate [MHz]	2 [MHz]	Divider			Error ppm	1 [MHz]	Divider			Error ppm	0.5 [MHz]	Divider			Error ppm
		M	N	P			M	N	P			M	N	P	
27	54	1	8	4	0	27	-	-	1	0	13.5	-	-	2	0

Typical applications for the CDCE906 are digital HDTV systems, gaming consoles, DVD players, DVD add-on cards for multimedia PCs, and step-top boxes.

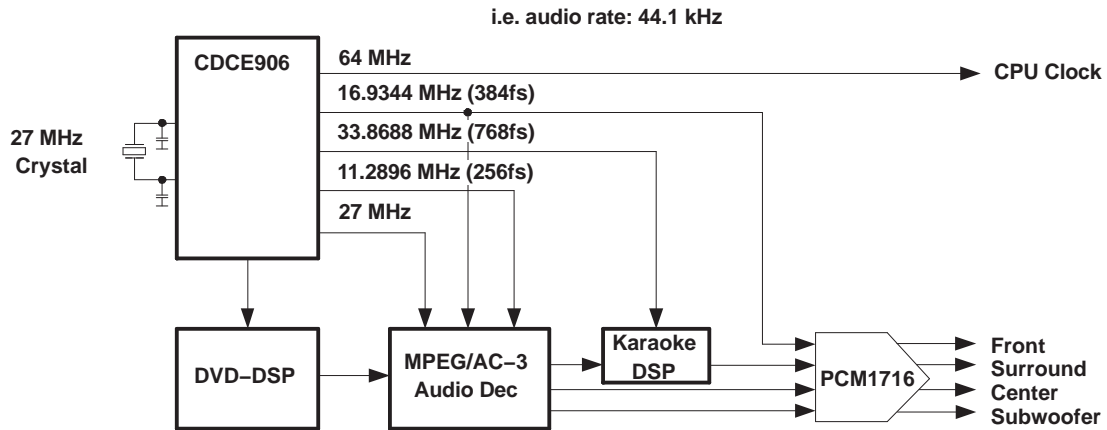


Figure 14. CDCE906 System Application Block Diagram

**Clock Inputs (CLK\_IN0 and CLK\_IN1)**

The CDCE906 features two clock inputs which can be used as:

- Crystal oscillator input (default setting)
- Two independent single-ended LVCMOS inputs
- Differential signal input

The dedicated clock input can be selected by the *input signal source* Bit [7:6] of Byte 11.

**Crystal Oscillator Inputs**

The input frequency range in crystal mode is 8 MHz to 54 MHz. The CDCE906 uses a Pierce-type oscillator circuitry with included feedback resistance for the inverting amplifier. The user, however, has to add external capacitors  $C_{X0}$ ,  $C_{X1}$  to match the input load capacitor from the crystal (see Figure 15). The required values can be calculated:

$$C_{X0} = C_{X1} = 2 \times C_L - C_{ICB}$$

where  $C_L$  is the crystal load capacitor as specified for the crystal unit and  $C_{ICB}$  is the input capacitance of the device including the board capacitance (stray capacitance of PCB).

For example, for a fundamental 27-MHz crystal with  $C_L$  of 9 pF and  $C_{ICB}$  of 4 pF,

$$C_{X0} = C_{X1} = (2 \times 9 \text{ pF}) - 3 \text{ pF} = 15 \text{ pF}.$$

It is important to use a short PCB trace from the device to the crystal unit to keep the stray capacitance of the oscillator loop to a minimum.

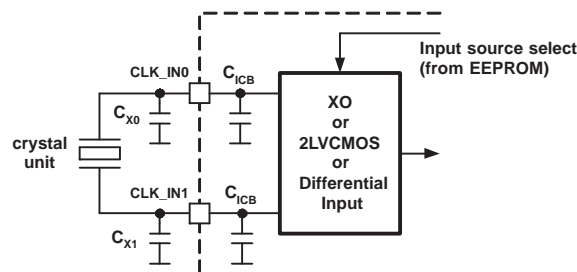


Figure 15. Crystal Input Circuitry

In order to ensure a stable oscillating, a certain drive power must be applied. The CDCE906 features an input oscillator with adaptive gain control which relieves the user to manually program the gain. The drive level is the amount of power dissipated by the oscillating crystal unit and is usually specified in terms of power dissipated by the resonator (equivalent series resistance (ESR)). Figure 16 gives the resulting drive level vs crystal frequency and ESR.

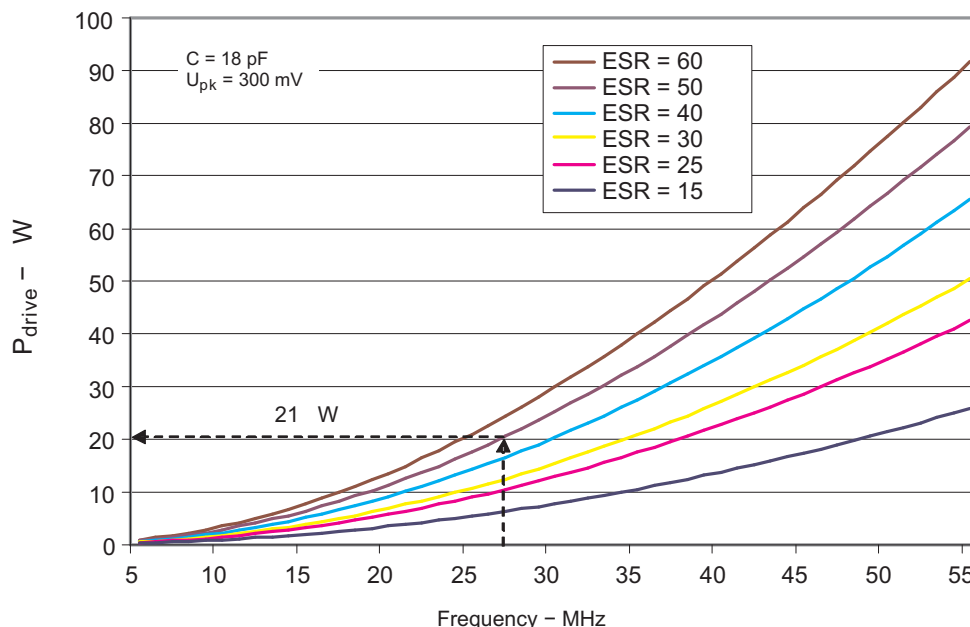


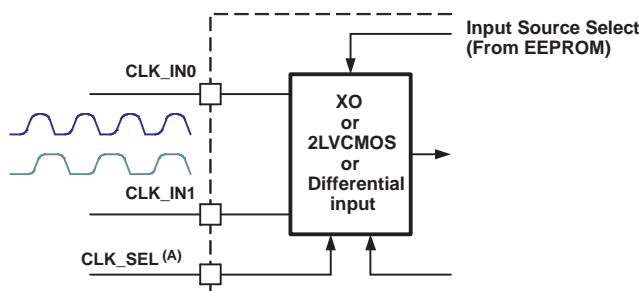
Figure 16. Crystal Drive Power

For example, if a 27-MHz crystal with ESR of 50  $\Omega$  is used and  $2 \times C_L$  is 18 pF, the drive power is 21  $\mu$ W. Drive level should be held to a minimum to avoid over driving the crystal. The maximum power dissipation is specified for each type of crystal in the oscillator specifications, i.e., 100  $\mu$ W for the example above.

### Single-Ended LVCMOS Clock Inputs

When selecting the LVCMOS clock mode, CLK\_IN0 and CLK\_IN1 act as regular clock inputs pins and can be driven up to 167 MHz. Both clock inputs circuitry are equal in design and can be used independently to each other (see Figure 17). The internal clock select bit, Byte 10, Bit [4], selects one of the two input clocks. CLK\_IN0 is the default selection. There is also the option to program the external control pin S0/A0/CLK\_SEL as clock select pin, Byte 10, Bit [1:0].

The two clock inputs can be used for redundancy switching, i.e. to switch between a primary clock and secondary clock. Note a phase difference between the clock inputs may require PLL correction. Also in case of different frequencies between the primary and secondary clock, the PLL has to re-lock to the new frequency.



A. CLK\_SEL is optional and can be configured by EEPROM setting.

Figure 17. LVCMOS Clock Input Circuitry

### Differential Clock Inputs

The CDCE906 supports differential signaling as well. In this mode, CLK\_IN0 and CLK\_IN1 pin serve as differential signal inputs and can be driven up to 167 MHz.

The minimum magnitude of the differential input voltage is 100 mV over a differential common-mode input voltage range of 200 mV to  $V_{CC} - 0.6$ . If LVDS or LVPECL signal levels are applied, ac-coupling and a biasing structure is recommended to adjust the different physical layers (see Figure 18). The capacitor removes the dc component of the signal (common-mode voltage), while the ac component (voltage swing) is passed on. A resistor pull-up and/or pull-down network represents the biasing structure used to set the common-mode voltage on the receiver side of the ac-coupling capacitor. DC coupling is also possible.

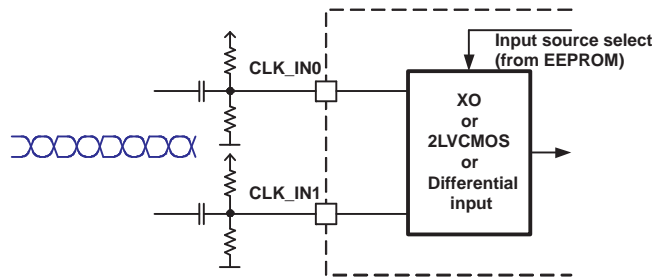


Figure 18. Differential Clock Input Circuitry

### PLL Configuration and Setting

The CDCE906 includes three PLLs which are equal in function and performance. Except PLL2 which in addition supports spread spectrum clocking (SSC) generation. Figure 19 shows the block diagram of the PLL.

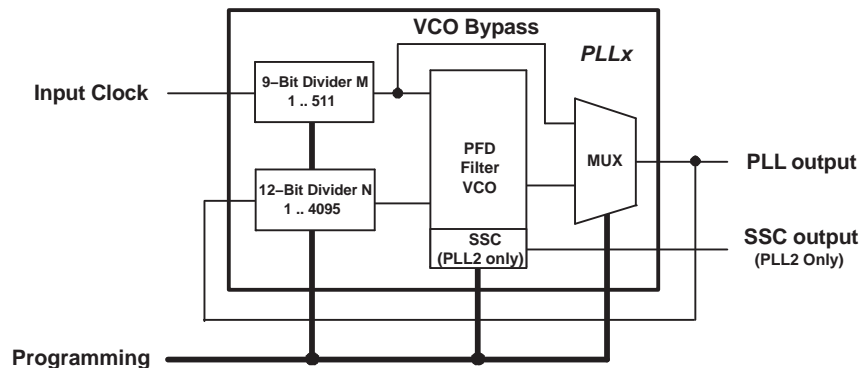


Figure 19. PLL Architecture

All three PLLs are designed for easiest configuration. The user just has to define the input and output frequencies or the divider (M, N, P) setting respectively. All other parameters, such as charge-pump current, filter components, phase margin, or loop bandwidth are controlled and set by the device itself. This assures optimized jitter attenuation and loop stability.

The PLL support normal-speed mode ( $80 \text{ MHz} \leq f_{VCO} \leq 200 \text{ MHz}$ ) and high-speed mode ( $180 \text{ MHz} \leq f_{VCO} \leq 300 \text{ MHz}$ ) which can be selected by PLLxFVCO (Bit [7:5] of Byte 6). The respective speed option assures stable operation and lowest jitter.

The divider M and divider N operates internally as fractional divider for  $f_{VCO}$  up to 250 MHz. This allows fractional divider ratio for zero ppm output clock error.

In case of  $f_{VCO} > 250 \text{ MHz}$ , it is recommended that integer factors of N/M are used only.

For optimized jitter performance, keep divider M as small as possible. Also, the fractional divider concept requires a PLL divider configuration,  $M \leq N$  (or  $N/M \geq 1$ ).



Additionally, each PLL supports two bypass options:

- PLL Bypass and
- VCO Bypass

In PLL bypass mode, the PLL completely is bypassed, so that the input clock is switched directly to the Output-Switch-A (SWAPxx of Byte 9 to 12). In the VCO bypass mode, only the VCO of the respective PLL is bypassed by setting PLLxMUX to 1 (Bit [7:5] of Byte 3). But the divider M still is useable and expands the output divider by additional 9-bits. This gives a total divider range of  $M \times P = 511 \times 127 = 64897$ . In VCO bypass mode the respective PLL block is powered down and minimizes current consumption.

**Table 3. Example for Divide, Multiplication, and Bypass Operation**

Function	Equation <sup>(1)</sup>	f <sub>IN</sub> [MHz]	f <sub>OUT-desired</sub> [MHz]	f <sub>OUT-actual</sub> [MHz]	Divider				f <sub>VCO</sub> [MHz]
					M	N	P	N/M	
Fractional <sup>(2)</sup>	$f_{OUT} = f_{IN} \times (N/M)/P$	30.72	155.52	155.52	16	81	1	5.0625	155.52
Integer Factor <sup>(3)</sup>	$f_{OUT} = f_{IN} \times (N/M)/P$	27	162	162	1	6	1	6	162
VCO bypass	$f_{OUT} = f_{IN}/(M \times P)$	30.72	0.06	0.06	8	—	64	—	—

(1) P-divider of Output-Switch-Matrix is included in the calculation.

(2) Fractional operation for  $f_{VCO} \leq 250$  MHz.

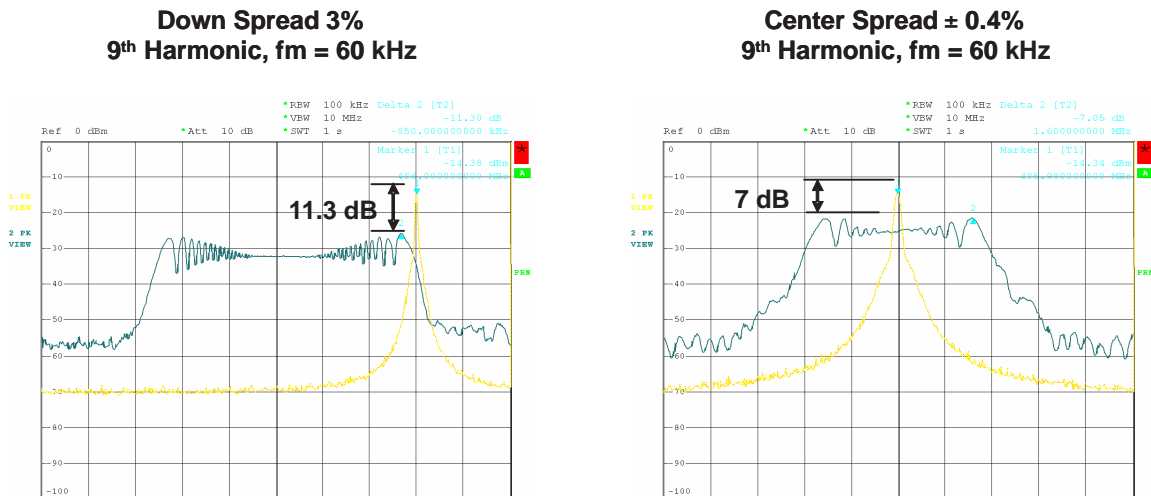
(3) Integer operation for  $f_{VCO} > 250$  MHz.

### Spread Spectrum Clocking and EMI Reduction

In addition to the basic PLL function, PLL2 supports spread spectrum clocking (SSC) as well. Thus, PLL 2 features two outputs, a SSC output and a non-SSC output. Both outputs can be used in parallel. The mean phase of the Center Spread SSC modulated signal is equal to the phase of the non-modulated input frequency. SSC is selected by Output-Switch-A (SWAPxx of Byte 9 to 12).

SSC also is bypass-able (Byte 25, Bit [6:4]), which powers-down the SSC output and set it to logic low state. The non-SSC output of PLL2 is not affected by this mode and can still be used.

SSC is an effective method to reduce electro-magnetic interference (EMI) noise in high-speed applications. It reduces the RF energy peak of the clock signal by modulating the frequency and spread the energy of the signal to a broader frequency range. Because the energy of the clock signal remains constant, a varying frequency that broadens the overtones necessarily lowers their amplitudes. Figure 20 shows the effect of SSC on a 54-MHz clock signal for DSP



**Figure 20. Spread Spectrum Clocking With Center Spread and Down Spread**

The peak amplitude of the modulated clock is 11.3 dB lower than the non-modulated carrier frequency for down spread and radiated less electro-magnetic energy.

In SSC mode, the user can select the SSC modulation amount and SSC modulation frequency. The modulation amount is the frequency deviation based to the carrier (min/max frequency), whereas the modulation frequency determines the speed of the frequency variation. In SSC mode, the maximum VCO frequency is limited to 167 MHz.

### SSC Modulation Amount

The CDCE906 supports center spread modulation and down spread modulation. In center spread, the clock is symmetrically shifted around the carrier frequency and can be  $\pm 0.1\%$ ,  $\pm 0.25\%$ , and  $\pm 0.4\%$ . At down spread, the clock frequency is always lower than the carrier frequency and can be 1%, 1.5%, 2%, and 3%. The down spread is preferred if a system can not tolerate an operating frequency higher than the nominal frequency (over-clocking problem).

Example:

	Modulation Type	Minimum Frequency	Center Frequency	Maximum Frequency
A	$\pm 0.25\%$ center spread	53.865 MHz	54 MHz	54.135 MHz
B	1% down spread	53.46 MHz	—	54 MHz
C	0.5% down spread <sup>(1)</sup>	53.73 MHz	53.865 MHz	54 MHz

(1) A down spread of 0.5% of a 54-MHz carrier is equivalent to 59.865 MHz at a center spread of  $\pm 0.25\%$ .

### SSC Modulation Frequency

The modulation frequency (sweep rate) can be selected between 30 kHz and 60 kHz. It is also based on the VCO frequency as shown in the *SSC Modulation Frequency Selection* as shown on page 19. As shown in [Figure 21](#), the damping increases with higher modulation frequencies. It may be limited by the tracking skew of a downstream PLL. The CDCE906 uses a triangle modulation profile which is one of the common profiles for SSC.

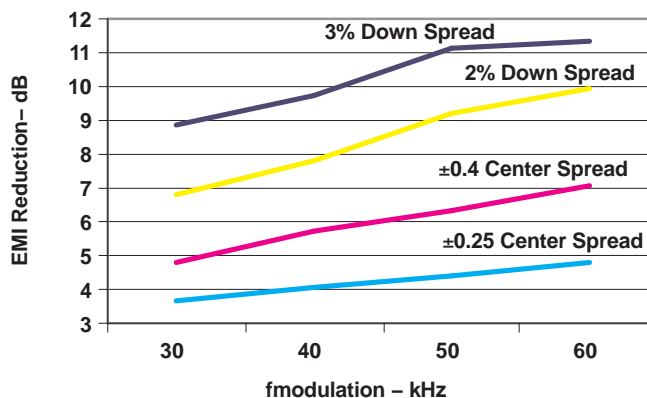


Figure 21. EMI Reduction vs  $f_{\text{Modulation}}$  and  $f_{\text{Amount}}$

### Further EMI Reduction

The optimum damping is a combination of modulation amount, modulation frequency and the harmonics which are considered. Note that higher order harmonic frequencies results in stronger EMI reduction because of respective higher frequency deviation.

As seen in [Figure 22](#) and [Figure 23](#), a slower output slew rate and/or smaller output signal amplitude helps to reduce EMI emission even more. Both measures reduce the RF energy of clock harmonics. The CDCE906 allows slew rate control in four steps between 0.6 ns and 3.3 ns (Byte 19-24, Bit [5:4]). The output amplitude is set by the two independent output supply voltage pins,  $V_{\text{CCOUT1}}$  and  $V_{\text{CCOUT2}}$ , and can vary from 2.3 V to 3.6 V. Even a lower output supply voltage down to 1.8 V works, but the maximum frequency has to be considered.

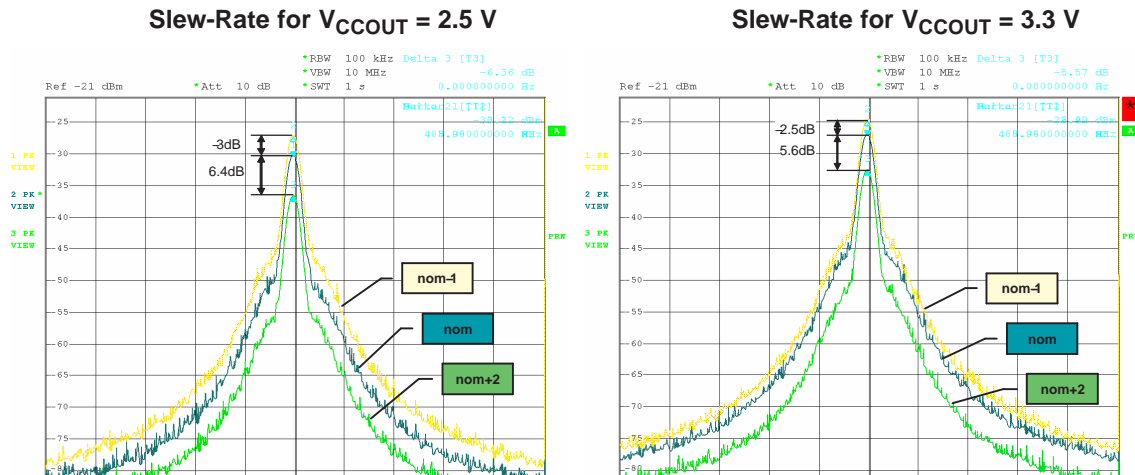


Figure 22. EMI Reduction vs Slew-Rate and  $V_{CCOUT}$

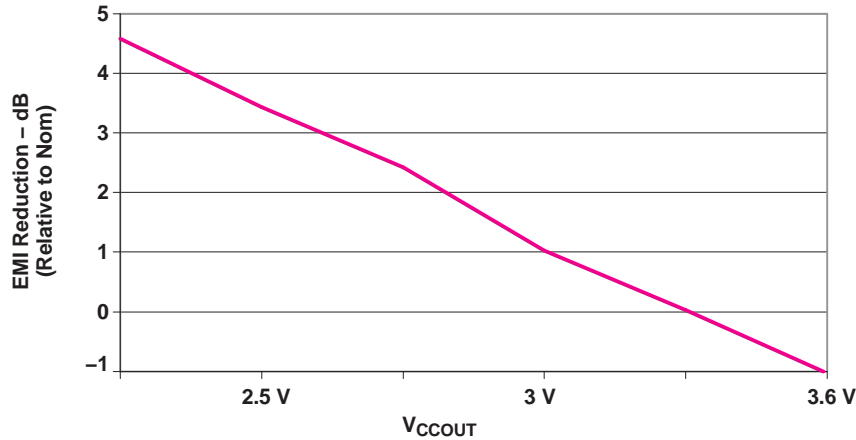


Figure 23. EMI Reduction vs  $V_{CCOUT}$

### Multi-Function Control Inputs S0 and S1

The CDCE906 features two user definable inputs pins which can be used as external control pins or address pins. When programmed as control pins, they can function as clock select pin, enable/disable pin or device power-down pin. If both pins used as address-bits, up to four devices can be connected to the same SMBus. The respective function is set in Byte 10; Bit [3:0]. [Table 4](#) shows the possible setting for the different output conditions, clock select and device addresses.

**Table 4. Configuration Setting of Control Inputs**

Configuration Bits				External Control Pins		Device Function			
Byte 10, Bit [3:2]		Byte 10, Bit [1:0]		S1 (Pin 2)	S0 (Pin 1)	Yx Outputs	Power Down	Pin 2	Pin 1
S11	S10	S01	S00						
0	X	0	X	1	1	Active	No	Output ctrl	Output ctrl
0	0	0	X	0	1	Low/High <sup>(1)</sup>	No	Output ctrl	Output ctrl
0	1	0	X	0	1	3-State	Outputs only	Output ctrl	Output ctrl
0	X	0	0	X	0	3-State	PLL, inputs and outputs	Output ctrl	Output ctrl and pd
0	X	0	1	0	0	S10=0: low/high <sup>(1)</sup> S10=1: 3-State	PLL only	Output ctrl	PLL and Div bypass
0	X	0	1	1	0	Active	PLL only	Output ctrl	PLL and Div bypass
0	X	1	0	0	0/1 <sup>(2)</sup>	S10=0: Low/High <sup>(1)</sup> S10=1: 3-State	No	Output ctrl	CLK_SEL
0	X	1	0	1	0/1 <sup>(2)</sup>	Active	No	Output ctrl	CLK_SEL
1	1	1	1	X	X	Active	No	A1 <sup>(3)</sup>	A0 <sup>(3)</sup>

(1) A non-inverting output will be set to low and an inverting output will be set to high.

(2) If S0 is 0, CLK\_IN0 is selected; if S0 is 1, CLK\_IN1 is selected.

(3) S0 and S1 are interpreted as Address Bit A0 and A1 of the Slave Receiver Address Byte.

As shown in [Table 4](#), there is a specific order of the different output condition: Power-down mode overwrites 3-state, 3-state overwrites low-state, and low-state overwrites active-state.

## Output Switching Matrix

The flexible architecture of the output switch matrix allows the user to switch any of the internal clock signal sources via a free-selectable post-divider to any of the six outputs.

As shown in [Figure 24](#), the CDCE906 is based on two banks of switches and six post-dividers. Switch A comprises six *5-Input-Muxes* which selects one of the four PLL clock outputs or directly selects the input clock and feed it to one of the 7-bit post-divider (P-Divider). Switch B is made up of six *6-Input-Muxes* which takes any post-divider and feeds it to one of the six outputs, Yx.

Switch B was added to the output switch matrix to ensure that outputs frequencies derive from one P-divider are 100% phase aligned. Also, the P-divider is built in a way that every divide factor is automatically duty-cycle corrected. Changing the divider value on the fly may cause a glitch on the output.

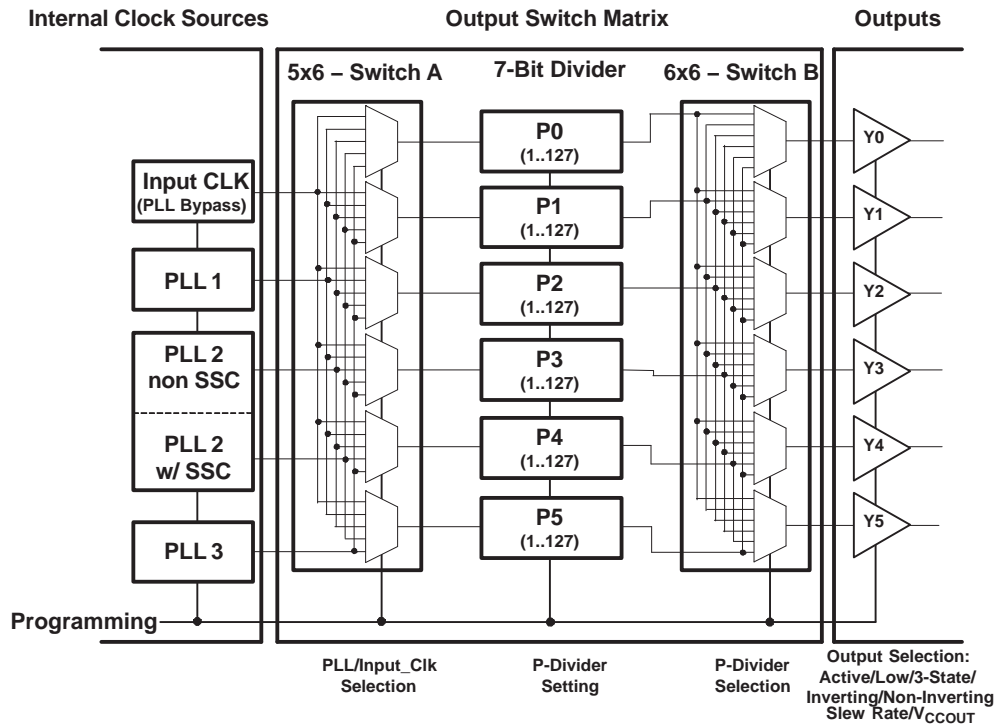


Figure 24. CDCE906 Output Switch Matrix

In addition, the outputs can be switched active, low or 3-state and/or 180 degree phase shifted. Also the outputs slew-rate and the output-voltage is user selectable.

### LVC MOS Output Configuration

The output stage of the CDCE906 supports all common output setting, such as enable, disable, low-state and signal inversion (180 degree phase shift). It further features slew-rate control (0.6 ns to 3.3 ns) and variable output supply voltage (2.3 V to 3.6 V).

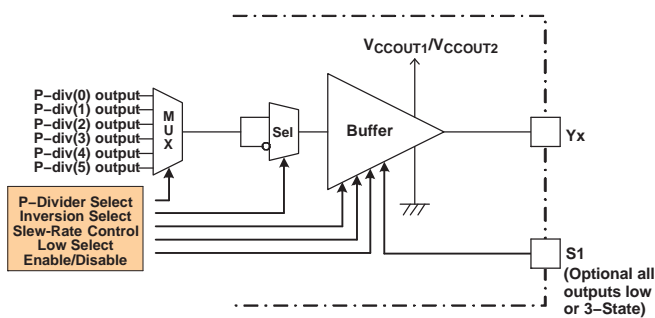


Figure 25. Block Diagram of Output Architecture

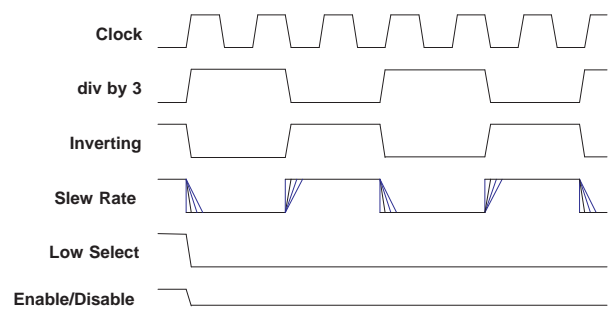


Figure 26. Example for Output Waveforms

All output settings are programmable via SMBus:

- enable, disable, low-state via external control pins S0 and S1 → Byte 10, Bit[3:0]
- enable or disable-to-low → Byte 19 to 24, Bit[3]
- inverting/non-inverting → Byte 19 to 24, Bit[6]
- slew-rate control → Byte 19 to 24, Bit[5:4]
- output swing → external pins  $V_{CCOUT1}$  (Pin 14) and  $V_{CCOUT2}$  (Pin 18)

## Performance Data: Output Skew, Jitter, Cross Coupling, Noise Rejection (Spur-Suppression), and Phase Noise

### Output Skew

Skew is an important parameter for clock distribution circuits. It is defined as the time difference between outputs that are driven by the same input clock. [Table 5](#) shows the output skew ( $t_{sk(o)}$ ) of the CDCE906 for high-to-low and low-to-high transitions over the entire range of supply voltages, operating temperature and output voltage swing.

**Table 5. Output Skew**

PARAMETER	$V_{CCout}$	TYP	MAX	UNIT
$t_{sk(o)}$	2.5 V	130	250	ps
	3.3 V	130	200	ps

### Jitter Performance

Jitter is a major parameter for PLL-based clock driver circuits. This becomes important as speed increases and timing budget decreases. The PLL and internal circuits of CDCE906 are designed for lowest jitter. The peak-to-peak period jitter is only 60 ps (typical). [Table 6](#) gives the peak-to-peak and rms deviation of cycle-to-cycle jitter, period jitter and phase jitter as taken during characterization.

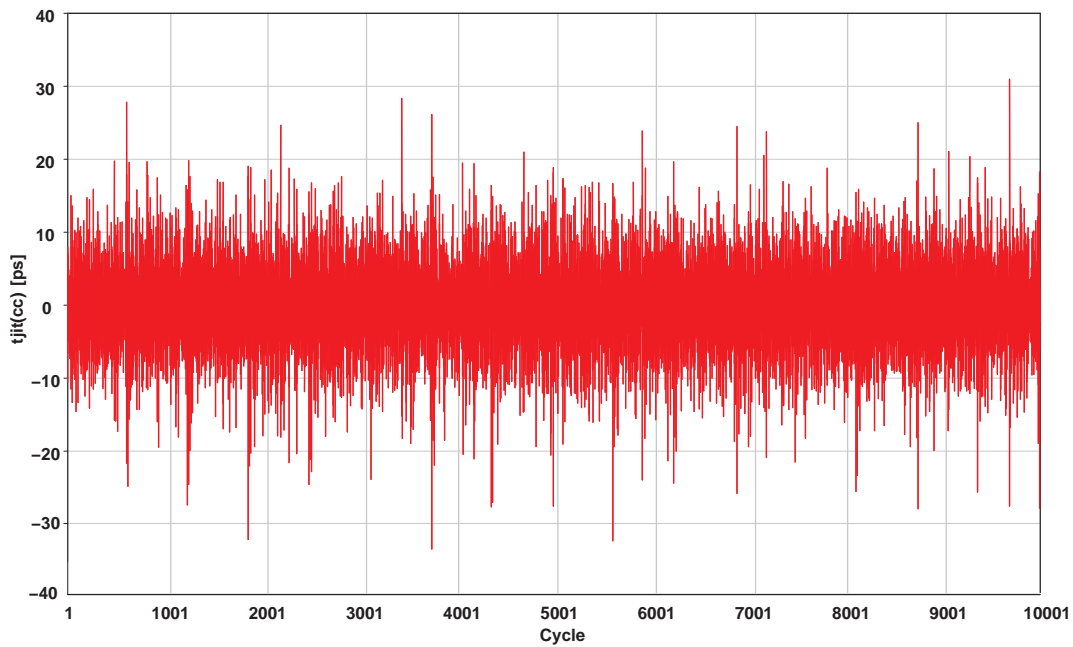
**Table 6. Jitter Performance of CDCE906**

PARAMETER	$f_{out}$	TYP <sup>(1)</sup>		MAX <sup>(1)</sup>		UNIT
		Peak-Peak	rms (one sigma)	Peak-Peak	rms (one sigma)	
$t_{jit(cc)}$	50 MHz	55	–	75	–	ps
	133 MHz	50	–	85	–	
$t_{jit(per)}$	50 MHz	60	4	76	7	ps
	133 MHz	55	5	84	11	
$t_{jit(phase)}$	50 MHz	730	90	840	115	ps
	133 MHz	930	130	1310	175	

(1) All typical and maximum values are at  $V_{CC} = 3.3$  V, temperature = 25°C,  $V_{CCout} = 3.3$  V; one output is switching, data taken over several 10000 cycles.

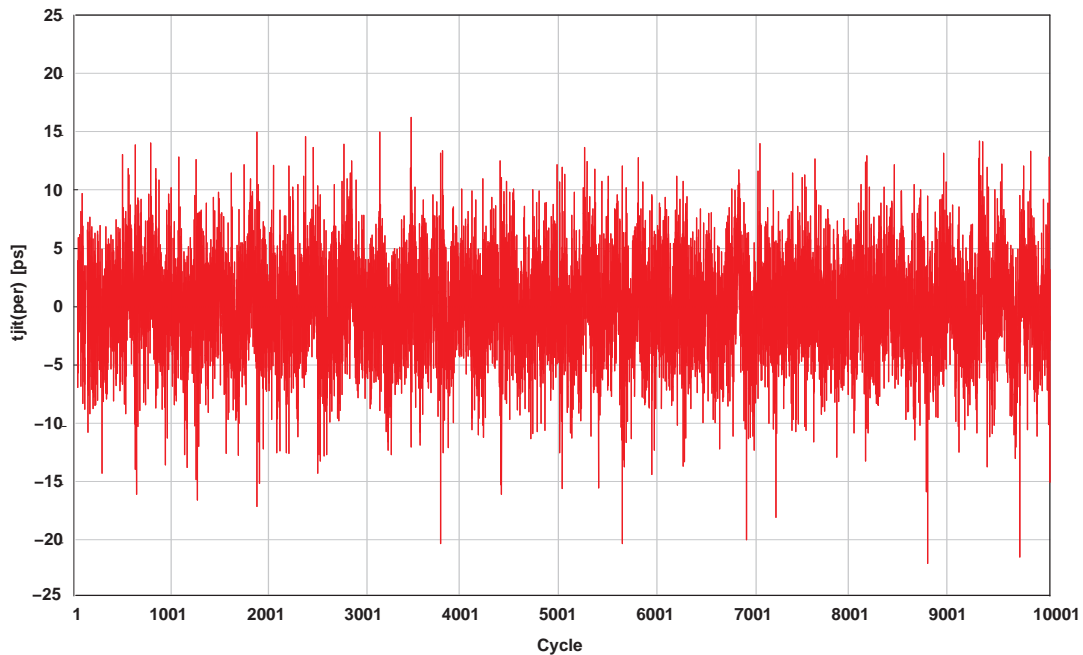
[Figure 27](#), [Figure 28](#), and [Figure 29](#) show the relationship between cycle-to-cycle jitter, period jitter, and phase jitter over 10000 samples. The jitter varies with a smaller or wider sample window. The cycle-to-cycle jitter and period jitter show the measured value whereas the phase jitter is the accumulated period jitter.

*Cycle-to-Cycle jitter* ( $t_{jit(cc)}$ ) is the variation in cycle time of a clock signal between adjacent cycles, over a random sample of adjacent cycle pairs. Cycle-to-cycle jitter will never be greater than the period jitter. It is also known as adjacent cycle jitter.



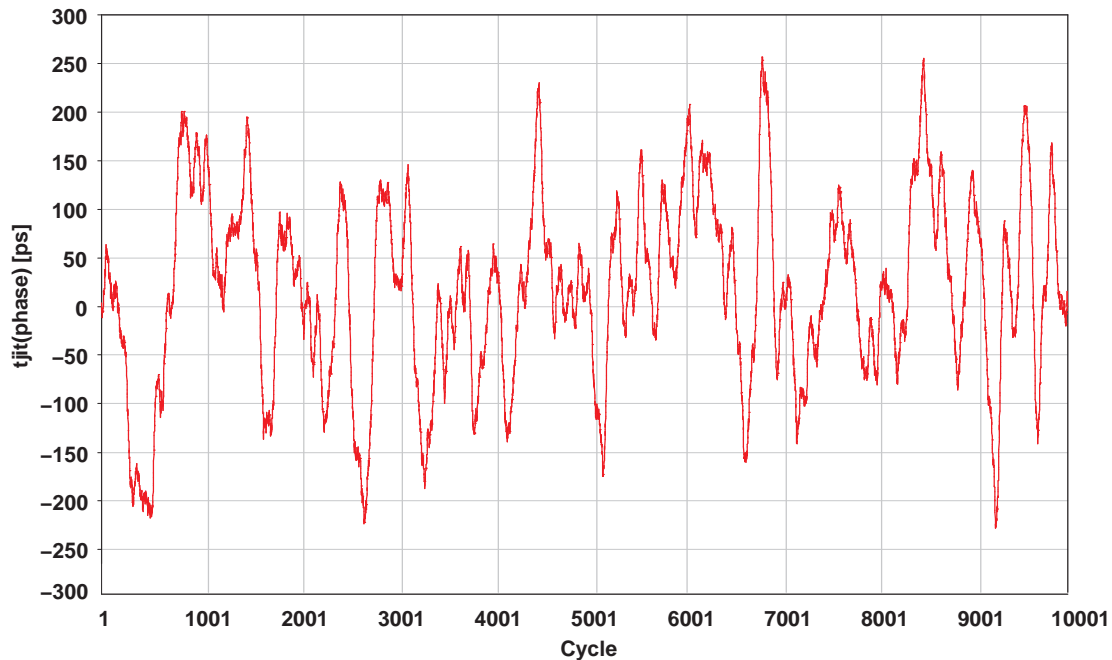
**Figure 27. Snapshot of Cycle-to-Cycle Jitter**

*Period jitter* ( $t_{jit(per)}$ ) is the deviation in cycle time of a clock signal with respect to the ideal period ( $1/f_0$ ) over a random sample of cycles. In reference to a PLL, period jitter is the worst-case period deviation from the ideal that would ever occur on the PLLs outputs. This is also referred to as short-term jitter.



**Figure 28. Snapshot of Period Jitter**

*Phase jitter* ( $t_{jit(phase)}$ ) is the long-term variation of the clock signal. It is the cumulative deviation in  $t(\Theta)$  for a controlled edge with respect to a  $t(\Theta)$  mean in a random sample of cycles. Phase jitter, Time Interval Error (TIE), or Wander are used in literature to describe long-term variation in frequency. As of ITU-T: G.810, wander is defined as phase variation at rates less than 10 Hz while jitter is defined as phase variation greater than 10 Hz. The measurement interval must be long enough to gain a meaningful result. Wander can be caused by temperature drift, aging, supply voltage drift, etc.

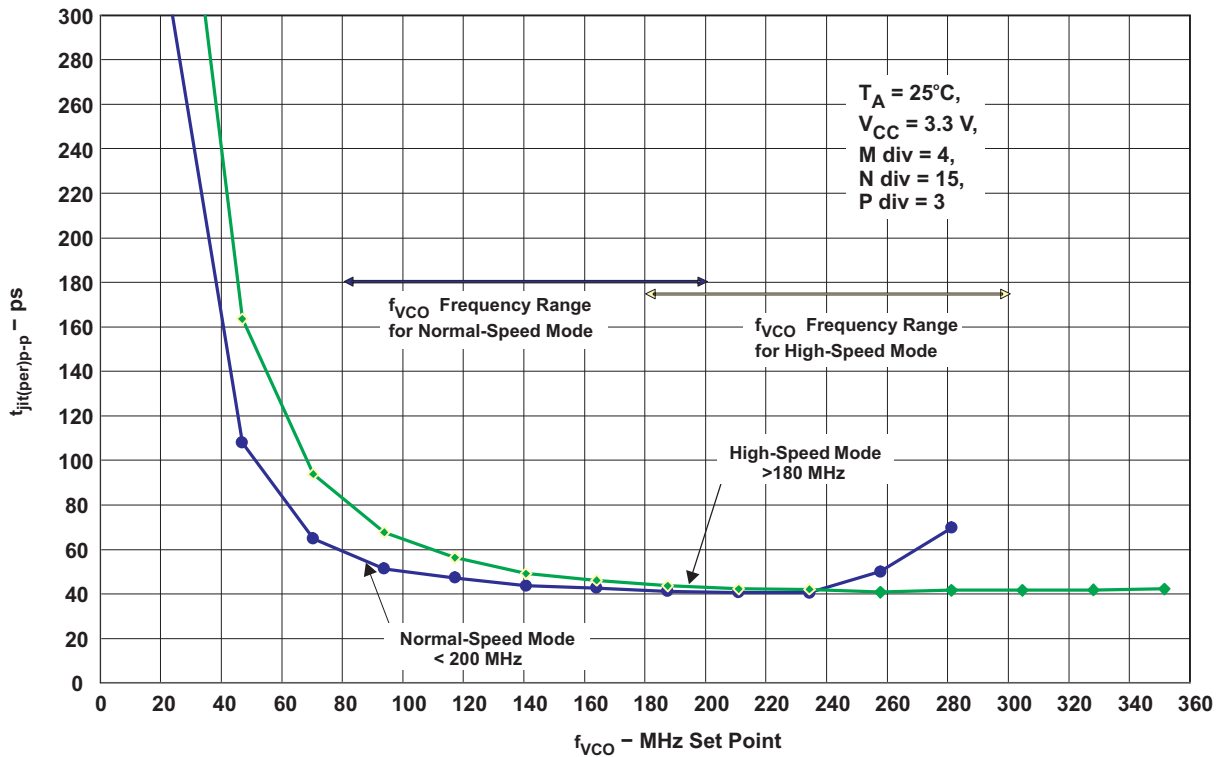


**Figure 29. Snapshot of Phase Jitter**

Jitter also depends on the VCO frequency ( $f_{VCO}$ ) of the PLL. A higher  $f_{VCO}$  results in better jitter performance compared to a lower  $f_{VCO}$ . The VCO frequency can be defined via the M- and N-divider of the PLL.

As the CDCE906 supports a pretty wide frequency range, the device offers a VCO Frequency Selection Bit, Bit [7:5] of Byte 6. This bit defines the jitter-optimized frequency range of each PLL. The user can select between the normal-speed mode (80 MHz to 200 MHz) and the high-speed mode (180 MHz to 300 MHz). [Figure 30](#) shows the jitter performance over  $f_{VCO}$  for the two frequency ranges.





**Figure 30. Period Jitter vs  $f_{VCO}$  for Normal-Speed Mode and High-Speed Mode**

The TI Pro Clock software automatically calculates the PLL parameter for jitter-optimized performance.

### Cross Coupling, Spur Suppression, and Noise Rejection

Cross-Coupling in ICs occurs through interactions between several parts of the chip such as between output stages, metal lines, bond wires, substrate, etc. The coupling can be capacitive, inductive and resistive (ohmic) induced by output switching, leakage current, ground bouncing, power supply transients, etc.

The CDCE906 is designed using the RFSiGe process technology. This process gives excellent performance in linearity, low power consumption, best-in-class noise performance and good isolation characteristics between the on-chip components.

The good isolation is a major benefit of the RFSiGe process because it minimizes the coupling effect. Even if all three PLLs are active and all outputs are on, the noise suppression is well above 50 dB. [Figure 31](#) and [Figure 32](#) show an example of noise coupling, spur-suppression, and power supply noise rejection of CDCE906. Die respective measurement conditions are shown in [Figure 31](#) and [Figure 32](#).

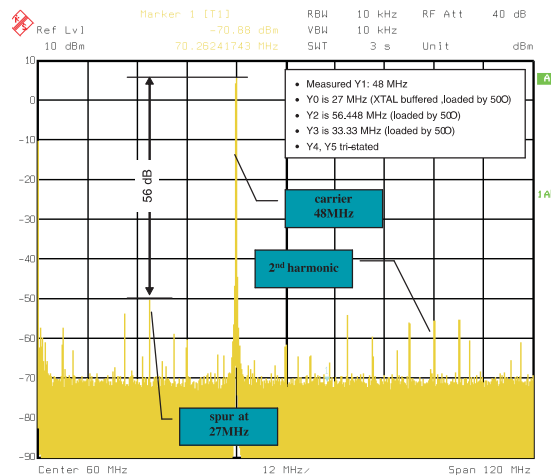


Figure 31. Noise Coupling and Spur Suppression

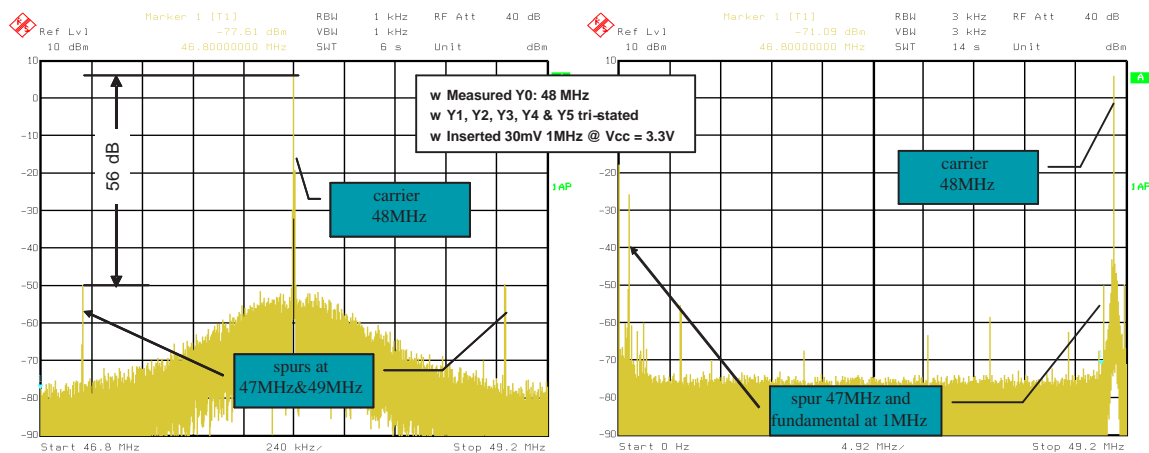


Figure 32. Power Supply Noise Rejection

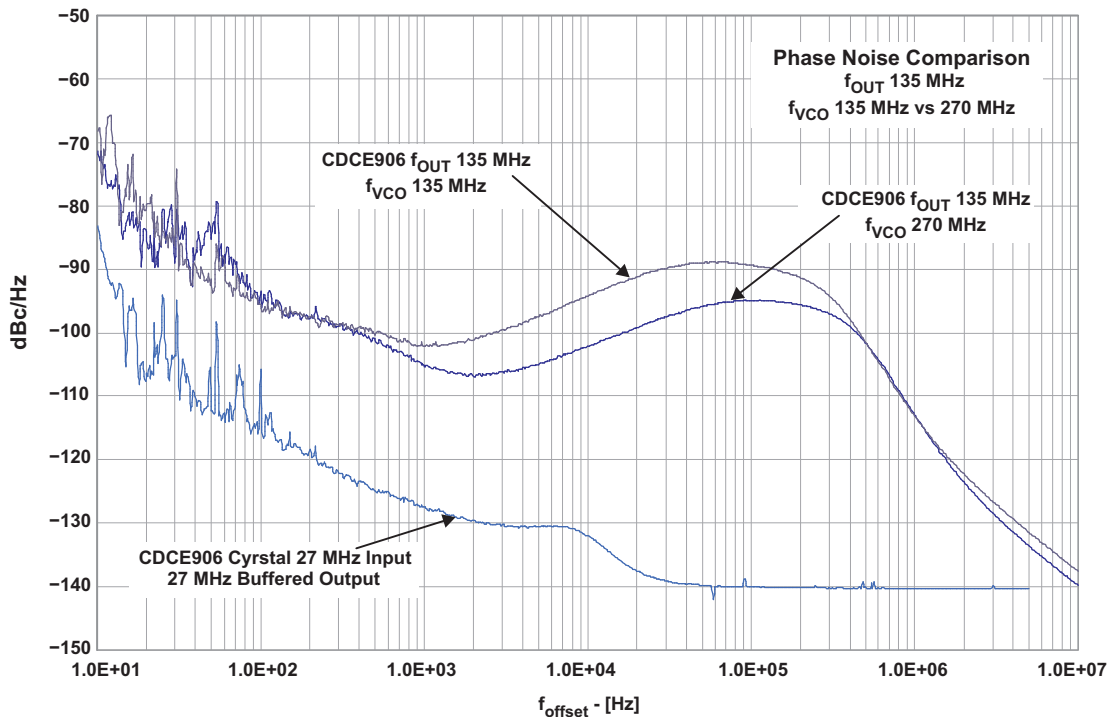
## Phase Noise Characteristic

In high-speed communication systems, the phase noise characteristic of the PLL frequency synthesizer is of high interest. Phase noise describes the stability of the clock signal in the frequency domain, similar to the jitter specification in the time domain.

Phase noise is a result of random and discrete noise causing a broad slope and spurious peaks. The discrete spurious components could be caused by known clock frequencies in the signal source, power line interference, and mixer products. The broadening caused by random noise fluctuation is due to phase noise. It can be the result of thermal noise, shot noise and/or flicker noise in active and passive devices.

Important factor for PLL synthesizer is the loop bandwidth (–3 dB cut-off frequency) — large loop bandwidth (LBW) results in fast transient response but have less reference spur attenuation. The LBW of the CDCE906 is about 100 kHz to 250 kHz, dependent on selected PLL parameter.

For the CDCE906, two phase noise characteristics are of interest: The phase noise of the crystal-input stage and the phase noise of the internal PLL (VCO). The following Figure shows the respective phase noise characteristic.



**Figure 33. Phase Noise Characteristic**

### PLL Lock-Time

Some applications use frequency switching, i.e. to change frequency in TV application (switching between channels) or change the PCI-X frequency in computers. The time spent by the PLL in achieving the new frequency is of main interest. The lock time is the time it takes to jump from one specified frequency to another specified frequency within a given frequency tolerance (Figure 34). It should be low, because a long lock time impacts the data rate of the system.

The PLL Lock Time depends on the device configuration and can be changed by the VCO frequency, i.e. by changing the M/N divider values. Table 7 gives the typical lock times of the CDCE906 and Figure 34 shows a snapshot of a frequency switch.

**Table 7. CDCE906 PLL Lock-Times**

Description	Lock Time (Typical)	Unit
Frequency change via reprogramming of N/M counter	100	μs
Frequency change via CLK_SEL pin (switching between CLK_IN0 and CLK_IN1)	100	μs
Power-up lock time with system clock	50	μs
Power-up lock time with 27-MHz Crystal at CLK_IN0 and CLK_IN1	300 <sup>(1)</sup>	μs

(1) Is the result of crystal power up (200 μs) and PLL Lock Time (100 μs).

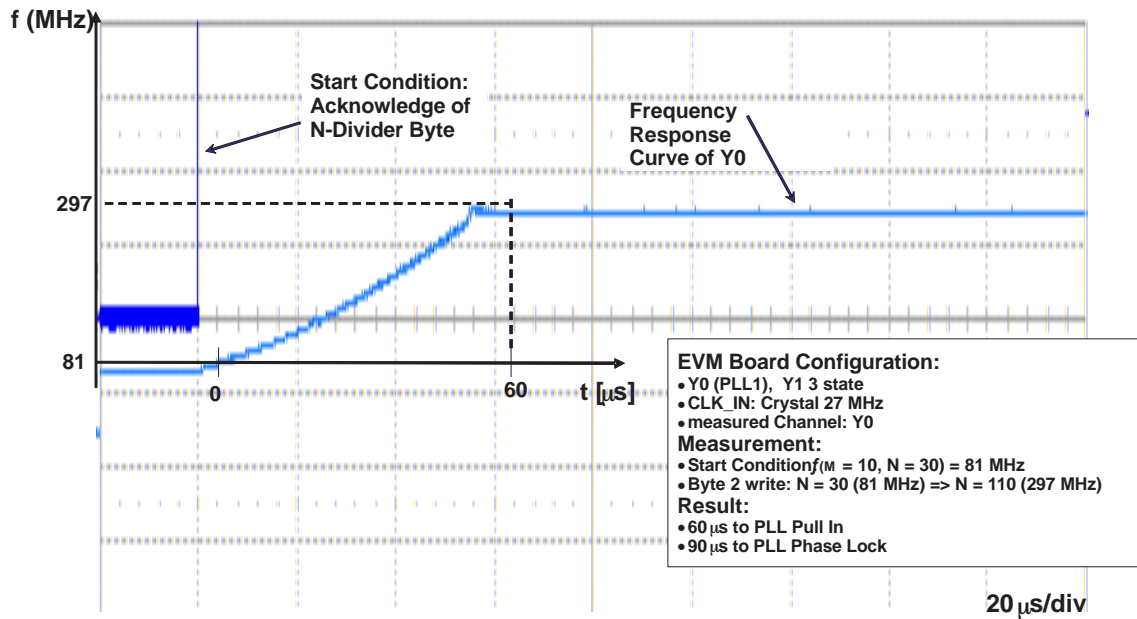


Figure 34. Snapshot of the PLL Lock-Time

### Power Supply Sequence

The CDCE906 includes the following three power supply pins:  $V_{CC}$ ,  $V_{CCOUT1}$ , and  $V_{CCOUT2}$ . There are no power supply sequencing requirements, as the three power nodes are separated from each other. So, power can be supplied in any order to the three nodes.

Also, the part has a power-up circuitry which switches the device on if  $V_{CC}$  exceeds 2.1 V (typ) and switches the device off at  $V_{CC} < 1.7$  V (typ). In power-down mode, all outputs and clock inputs are switched off.

### Device Behavior during Supply Voltage Drops

The CDCE906 has a Power-Up-Circuit, which activates the device function at  $V_{PUC\_ON}$  (typical 2.1 V). At the same time, the EEPROM information is loaded into the register. This mechanism ensures that there is a pre-defined default after Power-Up and no need to reprogram the CDCE906 in the application.

In the event of a supply-voltage-drop, the Power-Up-Circuit assures that there is always a defined setup within the register. Figure 35 shows possible voltage drops with different amplitudes.

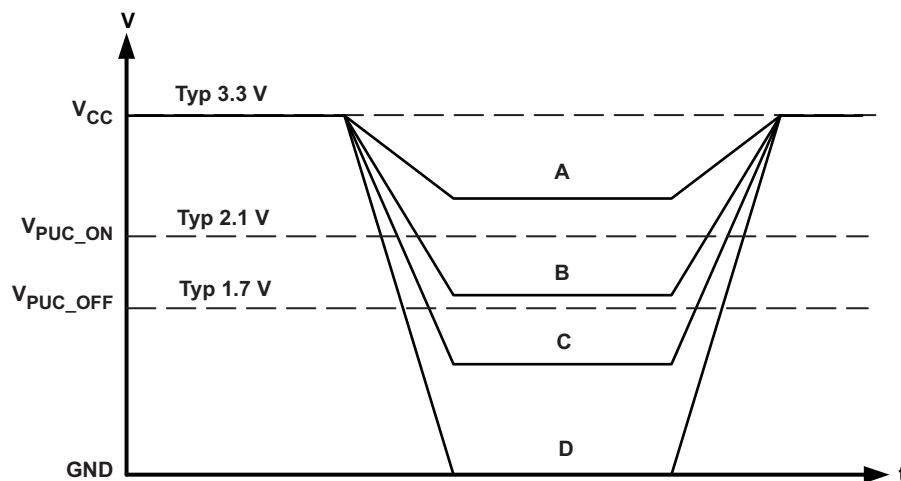


Figure 35. Different Voltage Drops on  $V_{CC}$  During Operation

The CDCE906 Power-Up-Circuit has an inbuilt hysteresis. If the voltage stays above  $V_{PUC\_OFF}$ , which is typically at 1.7 V, the register content stays unchanged. If the voltage drops below  $V_{PUC\_OFF}$ , the internal register is reloaded by the EEPROM after  $V_{PUC\_ON}$  is crossed again.  $V_{PUC\_ON}$  is typically 2.1 V. [Table 8](#) show the content of the EEPROM and the Register after above voltage drops scenarios.

**Table 8. EEPROM and Register Content After  $V_{CC}$  Drop**

Power Drop	EEPROM Content	Register Content
A	Unchanged	Unchanged
B	Unchanged	Unchanged
C	Unchanged	Reloaded from EEPROM
D	Unchanged	Reloaded from EEPROM

### EVM and Programming SW

The CDCE906 EVM is a development kit consisting of a performance evaluation module, the TI Pro Clock software, and the User's Guide. Contact Texas Instruments sales or marketing representative for more information.

**PACKAGING INFORMATION**

Orderable Device	Status (1)	Package Type	Package Drawing	Pins	Package Qty	Eco Plan (2)	Lead finish/ Ball material (6)	MSL Peak Temp (3)	Op Temp (°C)	Device Marking (4/5)	Samples
CDCE906PW	ACTIVE	TSSOP	PW	20	70	RoHS & Green	NIPDAU	Level-1-260C-UNLIM	0 to 70	CDCE906	<a href="#">Samples</a>
CDCE906PWG4	ACTIVE	TSSOP	PW	20	70	RoHS & Green	NIPDAU	Level-1-260C-UNLIM	0 to 70	CDCE906	<a href="#">Samples</a>
CDCE906PWR	ACTIVE	TSSOP	PW	20	2000	RoHS & Green	NIPDAU	Level-1-260C-UNLIM	0 to 70	CDCE906	<a href="#">Samples</a>

(1) The marketing status values are defined as follows:

**ACTIVE:** Product device recommended for new designs.

**LIFEBUY:** TI has announced that the device will be discontinued, and a lifetime-buy period is in effect.

**NRND:** Not recommended for new designs. Device is in production to support existing customers, but TI does not recommend using this part in a new design.

**PREVIEW:** Device has been announced but is not in production. Samples may or may not be available.

**OBSOLETE:** TI has discontinued the production of the device.

(2) **RoHS:** TI defines "RoHS" to mean semiconductor products that are compliant with the current EU RoHS requirements for all 10 RoHS substances, including the requirement that RoHS substance do not exceed 0.1% by weight in homogeneous materials. Where designed to be soldered at high temperatures, "RoHS" products are suitable for use in specified lead-free processes. TI may reference these types of products as "Pb-Free".

**RoHS Exempt:** TI defines "RoHS Exempt" to mean products that contain lead but are compliant with EU RoHS pursuant to a specific EU RoHS exemption.

**Green:** TI defines "Green" to mean the content of Chlorine (Cl) and Bromine (Br) based flame retardants meet JS709B low halogen requirements of <=1000ppm threshold. Antimony trioxide based flame retardants must also meet the <=1000ppm threshold requirement.

(3) MSL, Peak Temp. - The Moisture Sensitivity Level rating according to the JEDEC industry standard classifications, and peak solder temperature.

(4) There may be additional marking, which relates to the logo, the lot trace code information, or the environmental category on the device.

(5) Multiple Device Markings will be inside parentheses. Only one Device Marking contained in parentheses and separated by a "~" will appear on a device. If a line is indented then it is a continuation of the previous line and the two combined represent the entire Device Marking for that device.

(6) Lead finish/Ball material - Orderable Devices may have multiple material finish options. Finish options are separated by a vertical ruled line. Lead finish/Ball material values may wrap to two lines if the finish value exceeds the maximum column width.

**Important Information and Disclaimer:**The information provided on this page represents TI's knowledge and belief as of the date that it is provided. TI bases its knowledge and belief on information provided by third parties, and makes no representation or warranty as to the accuracy of such information. Efforts are underway to better integrate information from third parties. TI has taken and continues to take reasonable steps to provide representative and accurate information but may not have conducted destructive testing or chemical analysis on incoming materials and chemicals. TI and TI suppliers consider certain information to be proprietary, and thus CAS numbers and other limited information may not be available for release.

In no event shall TI's liability arising out of such information exceed the total purchase price of the TI part(s) at issue in this document sold by TI to Customer on an annual basis.

**TAPE AND REEL INFORMATION**

**QUADRANT ASSIGNMENTS FOR PIN 1 ORIENTATION IN TAPE**


\*All dimensions are nominal

Device	Package Type	Package Drawing	Pins	SPQ	Reel Diameter (mm)	Reel Width W1 (mm)	A0 (mm)	B0 (mm)	K0 (mm)	P1 (mm)	W (mm)	Pin1 Quadrant
CDCE906PWR	TSSOP	PW	20	2000	330.0	16.4	6.95	7.1	1.6	8.0	16.0	Q1



**TAPE AND REEL BOX DIMENSIONS**


\*All dimensions are nominal

Device	Package Type	Package Drawing	Pins	SPQ	Length (mm)	Width (mm)	Height (mm)
CDCE906PWR	TSSOP	PW	20	2000	356.0	356.0	35.0

**TUBE**


\*All dimensions are nominal

Device	Package Name	Package Type	Pins	SPQ	L (mm)	W (mm)	T (μm)	B (mm)
CDCE906PW	PW	TSSOP	20	70	530	10.2	3600	3.5
CDCE906PWG4	PW	TSSOP	20	70	530	10.2	3600	3.5

PW0020A



# PACKAGE OUTLINE

## TSSOP - 1.2 mm max height

SMALL OUTLINE PACKAGE



4220206/A 02/2017

### NOTES:

- All linear dimensions are in millimeters. Any dimensions in parenthesis are for reference only. Dimensioning and tolerancing per ASME Y14.5M.
- This drawing is subject to change without notice.
- This dimension does not include mold flash, protrusions, or gate burrs. Mold flash, protrusions, or gate burrs shall not exceed 0.15 mm per side.
- This dimension does not include interlead flash. Interlead flash shall not exceed 0.25 mm per side.
- Reference JEDEC registration MO-153.

# EXAMPLE BOARD LAYOUT

PW0020A

TSSOP - 1.2 mm max height

SMALL OUTLINE PACKAGE



LAND PATTERN EXAMPLE  
EXPOSED METAL SHOWN  
SCALE: 10X



SOLDER MASK DETAILS

4220206/A 02/2017

NOTES: (continued)

6. Publication IPC-7351 may have alternate designs.
7. Solder mask tolerances between and around signal pads can vary based on board fabrication site.

# EXAMPLE STENCIL DESIGN

PW0020A

TSSOP - 1.2 mm max height

SMALL OUTLINE PACKAGE



SOLDER PASTE EXAMPLE  
BASED ON 0.125 mm THICK STENCIL  
SCALE: 10X

4220206/A 02/2017

NOTES: (continued)

8. Laser cutting apertures with trapezoidal walls and rounded corners may offer better paste release. IPC-7525 may have alternate design recommendations.
9. Board assembly site may have different recommendations for stencil design.

PW (R-PDSO-G20)

PLASTIC SMALL OUTLINE



- NOTES:
- A. All linear dimensions are in millimeters.
  - B. This drawing is subject to change without notice.
  - C. Publication IPC-7351 is recommended for alternate design.
  - D. Laser cutting apertures with trapezoidal walls and also rounding corners will offer better paste release. Customers should contact their board assembly site for stencil design recommendations. Refer to IPC-7525 for other stencil recommendations.
  - E. Customers should contact their board fabrication site for solder mask tolerances between and around signal pads.

## IMPORTANT NOTICE AND DISCLAIMER

TI PROVIDES TECHNICAL AND RELIABILITY DATA (INCLUDING DATA SHEETS), DESIGN RESOURCES (INCLUDING REFERENCE DESIGNS), APPLICATION OR OTHER DESIGN ADVICE, WEB TOOLS, SAFETY INFORMATION, AND OTHER RESOURCES "AS IS" AND WITH ALL FAULTS, AND DISCLAIMS ALL WARRANTIES, EXPRESS AND IMPLIED, INCLUDING WITHOUT LIMITATION ANY IMPLIED WARRANTIES OF MERCHANTABILITY, FITNESS FOR A PARTICULAR PURPOSE OR NON-INFRINGEMENT OF THIRD PARTY INTELLECTUAL PROPERTY RIGHTS.

These resources are intended for skilled developers designing with TI products. You are solely responsible for (1) selecting the appropriate TI products for your application, (2) designing, validating and testing your application, and (3) ensuring your application meets applicable standards, and any other safety, security, regulatory or other requirements.

These resources are subject to change without notice. TI grants you permission to use these resources only for development of an application that uses the TI products described in the resource. Other reproduction and display of these resources is prohibited. No license is granted to any other TI intellectual property right or to any third party intellectual property right. TI disclaims responsibility for, and you will fully indemnify TI and its representatives against, any claims, damages, costs, losses, and liabilities arising out of your use of these resources.

TI's products are provided subject to [TI's Terms of Sale](#) or other applicable terms available either on [ti.com](http://ti.com) or provided in conjunction with such TI products. TI's provision of these resources does not expand or otherwise alter TI's applicable warranties or warranty disclaimers for TI products.

TI objects to and rejects any additional or different terms you may have proposed.

Mailing Address: Texas Instruments, Post Office Box 655303, Dallas, Texas 75265  
Copyright © 2022, Texas Instruments Incorporated